

IMPER-SOL™

BITEC
BITUMEN TECHNOLOGY®

WHEN QUALITY MATTERS™



ROOF PRESERVATION AND MAINTENANCE SYSTEMS

BITEC, INC. PO BOX 497 #2 INDUSTRIAL PARK DRIVE MORRILTON, AR
72110

(800) 535-8597 FAX (501) 354-3019

www.bi-tec.com

REV. 4-23



Coatings & Adhesives

PART NUMBER	PRODUCT	COVERAGE RATE	PAGE
F02454	Impersol EB All-In-One™	80 - 100 ft ² /gal	4-5
F02455	Impersol EB Single Ply Base Coat™	65 - 100 ft ² /gal	6
F02456	Impersol EB Metal Base Coat™	65 - 100 ft ² /gal	7
F02457	Impersol EB EP Roof Coating 51™	60 - 100 ft ² /gal	8
F02458	Impersol EB EP Roof Coating BB™	65 - 100 ft ² /gal	9
F02459	Impersol EB EP Roof Coating 56™	65 - 100 ft ² /gal	10
F02460	Impersol EB Surface Sealer™	65 - 100 ft ² /gal	11
F02461	Impersol EB Flashing Compound™	Varies depending upon surface conditions and use	12
F02462	Impersol EB Skylight Coating™	80-100 ft ² /gal (Wet Mil Thickness 10 - 12 mils)	13
F02463	Impersol SI Silicone™	1.2 gal/100 ft ² (Minimum Dry Mil Thickness of > 20 mils)	14
F02464	Impersol SI Joint Compound™	Varies depending upon surface conditions and use	15
F02465	Impersol EB Multi System Bleed Blocker™	¾ - 1 gallon per 100 ft ²	16
F02467	Impersol AC Premium™	1.0 - 1.5 gal/100 ft ² per coat (2-coat application is required)	17
F02468	Impersol AC Contractor Grade™	1.0 - 2.0 gal/100 ft ² per coat (2-coat application is required)	18
F02470	Impersol AC Joint Compound™	Varies depending upon surface conditions and use	19
F02469	Impersol Cleaner/Degreaser™	Varies depending upon surface conditions	20
F02475	Impersol Polyester Mesh™	Available Sizes: 4" x 180'; 6" x 180'; 12" x 180'; 40" x 324'	21
F02476	Impersol Seam Tape™	Varies depending upon surface conditions	22
	Coating Warranty and Coating Authorized Applicator Section	Documents	23-37
F02411	MAC-200™	0.50 - 0.75 gal/100 ft ² per coat (over smooth or mineral) 0.20 - 0.25 gal/100 ft ² per coat (over metal)	38
F02421	MAC-300™	0.50 - 0.75 gal/100 ft ² per coat (over smooth or mineral) 0.20 - 0.25 gal/100 ft ² per coat (over metal)	39
F022101	Elastopav® Flashing Compound	Varies depending upon surface conditions	40-41
F022100	Elastopav® Sealant	Varies depending upon surface conditions	42-43
F02110	PMA-2000™	2.0 - 3.0 gal/sq; 7 linear ft/gal covers 8" width	44
F02339	PMA-186™	2.0 - 2.5 gal/sq.	45

PART NUMBER	PRODUCT	COVERAGE RATE	PAGE
F0498000	Compafdash™ APP	***Must Designate Type of Modifier When Ordering (APP or SBS)*** Coverage varies depending upon surface conditions and use	46
F0499000	Compafdash™ SBS	***Must Designate Type of Modifier When Ordering (APP or SBS)*** Coverage varies depending upon surface conditions and use	47
F02480	IM-PRIME™	1/3 to 1/2 gal/100 ft ²	48
F02482	ASPHALT PRIMER 41™	0.5 to 1 gal/100 ft ²	49
Required For Eligibility To Receive Labor & Material Warranty			
	<u>COATING WARRANTY FORMS</u>	<u>COATING AUTHORIZED APPLICATOR</u>	<u>PAGE</u>
Yes	WARRANTY SCHEDULE (Coating System Requirements)	(Review Required by Authorized Applicator)	23
Yes	•	APPROVED CONTRACTOR APPLICATION FORM (Must Be Completed by Applicant)	24-25
•	TEN (10) YEAR LABOR AND COATING MATERIAL WARRANTY	(Issued by BITEC)	26-27
•	FIFTEEN (15) YEAR LABOR AND COATING MATERIAL WARRANTY	(Issued by BITEC)	28-29
No	TEN (10) YEAR COATING MATERIAL WARRANTY	(Available to Any Installer - No Authorization Required)	30-31
Yes	COATING SYSTEM PRE-INSPECTION WARRANTY FORM	(Must Be Completed By Authorized Applicator)	32-33
Yes	MID-TERM INSPECTION REPORT	(Must Be Completed by BITEC Representative)	34-35
Yes	WARRANTY PROJECT COMPLETION FORM	(Must Be Completed by Authorized Applicator)	36-37
•	WARRANTY REQUIREMENTS FLOW CHART	•	50

BITEC, INC,
PO BOX 497
#2 INDUSTRIAL PARK DRIVE
MORRILTON, AR 72110
(800) 535-8597 FAX: (501) 354-3019
www.bi-tec.com

All Information is given in good faith, but normal tolerances of manufacture and testing will apply. BITEC reserves the right to improve and change its products at any time without prior notice or advice. The use of BITEC products is determined by local conditions and individual requirements of each contract. In consideration of the many factors involved, BITEC cannot be held responsible for the application of its products and for conditions beyond its control. All claims filed against BITEC warranties will be subject to the provisions set forth at the date of warranty issuance, and any addendum thereto. Under no circumstances will BITEC be held liable for any damage, whether personal injury or property damage, when using any of its products.

© BITEC, INC. 2022. All rights reserved.

Impersol™ EB All-in-One

PRODUCT INFORMATION



OVERVIEW

Impersol EB All-in-One is a unique rubber coating that provides extremely effective protection. It is a one component product that has excellent adhesion to properly prepared surfaces.

Impersol EB All-in-One controls corrosion and rust bleed through, even after years of service. It is thermally stable and resists cracking and peeling due to weather extremes and ultraviolet exposure.

WHEN QUALITY MATTERS™

TYPES OF APPLICATION

- Metal Buildings and Roofs
- Modified and BUR Roofs
- Urethane Foam Roofs
- Single Ply Roofs
- Concrete surfaces

SURFACE PREPARATION

The surface must be free of any dirt, moisture, oils, algae or other contaminants that may interfere with good adhesion. Carefully remove any loose material from surface with a wire brush or scraper. Grease and oil should also be removed with environmentally safe solvents or an appropriate detergent cleaner such as Impersol Cleaner Degreaser. In most cases a high pressure water blast will be sufficient to prepare the surface.

APPLICATION TEMPERATURES

For best results, the temperature of the ambient air and the substrate should be within a range of 50°-100°F. For best spray application, the product should be at a minimum of 60°F. Lower temperatures can be utilized for brush applications.

APPLICATION METHODS

Impersol EB All-in-One can be applied by brush, spray or roller. Best results can be obtained with airless spray equipment. See BITEC Application Bulletins for additional information.

HANDLING & STORAGE

Impersol EB All-in-One vehicle is a blend of solvents considered combustible by the standards of the D.O.T. and O.S.H.A. Keep away from heat, open flame, or sparks. Use in a well ventilated area.

Notice: Impersol should be used and stored away from flames, in a well-ventilated atmosphere. Avoid prolonged breathing of vapors and prevent contact with eyes. Read all label information, SDS, and precautions before using. The specifications, properties and performance of materials described herein are based on information believed to be reliable. Unless otherwise expressly provided in written contract, the products discussed are sold without conditions or warranties, expressed or implied. Product specifications are subject to change without notice.

AVAILABLE SIZES

- 0.5 gallon
- 1.0 gallon
- 2.5 gallons
- 5.0 gallons

Wet Adhesion	(ASTM C794/D903)
Metal	Pass
SBS Mod. Bit	Pass
APP Mod. Bit	Pass
Smooth BUR	Pass
EPDM	Pass
TPO	Pass
Hypalon	Pass
SPUF (Foam)	Pass



BITEC
P.O. Box 497
No. 2 Industrial Park Drive, Morrilton, Arkansas
72110 Phone 1-800-535-8597
Fax (501) 354-3019
www.bi-tec.com

Impersol™ EB All-in-One

PRODUCT INFORMATION



Technical Data	All-in-One
Coverage Rate	80 - 100 ft ² /gal
Viscosity (78°F)	9,900 cP
Drying Time	2 - 4 hours
Elongation (ASTM D412)	500%
Tensile Strength(ASTM D412)	1,520 psi
Permeance (10mils) (ASTM E96)	0.166 perms
Fungi Resist (ASTM G21)	0 Pass
H ₂ O Swell (ASTM D471)	0%
Weathering (ASTM 4798)	Pass
Weight	8.5 lb/gal
Flash Point	101°F (38.33° C)
Low Temp. Flex (ASTM D522)	Pass

Recommended Spray Equipment	Airless
Tip size	0.025"
Fluid Pressure (psi)	3000
Fluid hose size	3/8" - 1/2"
Standard Color	White



BITEC

P.O. Box 497

No. 2 Industrial Park Drive, Morrilton, Arkansas 72110

Phone 1-800-535-8597

Fax (501) 354-3019

www.bi-tec.com

Impersol™ EB Single Ply Base Coat

PRODUCT INFORMATION



OVERVIEW

Impersol EB Single Ply Base Coat is a rubber base-coat that provides excellent waterproofing for various substrates. It is a one-component product that has excellent adhesion to properly prepared surfaces. Impersol EB Single Ply Base Coat is thermally stable and resists cracking and peeling due to weather extremes. For long-term ultraviolet exposure, Impersol EB Single Ply Base Coat must be top-coated with Impersol EB EP Roof Coating 51™.

WHEN QUALITY MATTERS™

TYPES OF APPLICATION

- Modified and BUR Roofs
- Urethane Foam Roofs
- Single Ply Roofs
- TPO
- Hypalon
- EPDM
- Concrete surfaces

SURFACE PREPARATION

The surface must be free of any dirt, moisture, oils, algae or other contaminants that may interfere with good adhesion. Carefully remove any loose material from surface with a wire brush or scraper. Grease and oil should also be removed with environmentally safe solvents or an appropriate detergent cleaner such as Impersol Cleaner Degreaser. In most cases a high pressure water blast will be sufficient to prepare the surface.

APPLICATION TEMPERATURES

For best results, the temperature of the ambient air and the substrate should be within a range of 50°-100°F. For best spray application, the product should be at a minimum of 60°F. Lower temperatures can be utilized for brush applications.

APPLICATION METHODS

Impersol EB Single Ply Base Coat can be applied by brush, spray or roller. Best results can be obtained with airless spray equipment. See BITEC Application Bulletins for additional information.

HANDLING & STORAGE

Impersol EB Single Ply Base Coat vehicle is a blend of solvents considered combustible by the standards of the D.O.T. and O.S.H.A. Keep away from heat, open flame, or sparks. Use in a well ventilated area.

Notice: Impersol EB Single Ply Base Coat should be used and stored away from flames, in a well-ventilated atmosphere. Avoid prolonged breathing of vapors and prevent contact with eyes. Read all label information, SDS, and precautions before using. The specifications, properties and performance of materials described herein are based on information believed to be reliable. Unless otherwise expressly provided in written contract, the products discussed are sold without conditions or warranties, expressed or implied. Product specifications are subject to change without notice.

Technical Data	Single Ply Base Coat
Coverage Rate	65-100 ft ² /gal
Viscosity (78°F)	4,000 cP
Drying Time	2-4 hours
Elongation (ASTM D412)	500%
Tensile Strength(ASTM D412)	1,500 psi
Permeance (10mils) (ASTM E96)	0.166 perms
Fungi Resist (ASTM G21)	0 Pass
H ₂ O Swell (ASTM D471)	0%
Weathering (ASTM 4798)	Pass
Weight	8.5 lb/gal
Flash Point	101°F (38.33° C)
Low Temp. Flex (ASTM D522)	Pass

Recommended Spray Equipment	Airless
Tip size	0.025"
Fluid Pressure (psi)	3000
Fluid hose size	3/8" - 1/2"
Standard Color	White



BITEC
P.O. Box 497
No. 2 Industrial Park Drive, Morrilton, Arkansas
72110 Phone 1-800-535-8597
Fax (501) 354-3019
www.bi-tec.com

Impersol™ EB Metal Base Coat

PRODUCT INFORMATION



OVERVIEW

Impersol EB Metal Base Coat is a rubber base-coat that provides excellent waterproofing for various substrates. It is a one-component product that has excellent adhesion to properly prepared surfaces. Impersol EB Metal Base Coat is thermally stable and resists cracking and peeling due to weather extremes. For long-term ultraviolet exposure, Impersol EB Metal Base Coat must be top-coated with Impersol EB EP Roof Coating 51, 56, or BB

WHEN QUALITY MATTERS™

TYPES OF APPLICATION

- Metal Buildings
- Metal Roofs
- Concrete surfaces

SURFACE PREPARATION

The surface must be free of any dirt, moisture, oils, algae or other contaminants that may interfere with good adhesion. Carefully remove any loose material from surface with a wire brush or scraper. Grease and oil should also be removed with environmentally safe solvents or an appropriate detergent cleaner such as Impersol Cleaner Degreaser. In most cases a high pressure water blast will be sufficient to prepare the surface.

APPLICATION TEMPERATURES

For best results, the temperature of the ambient air and the substrate should be within a range of 50°-100°F. For best spray application, the product should be at a minimum of 60°F. Lower temperatures can be utilized for brush applications.

APPLICATION METHODS

Impersol EB Metal Base Coat can be applied by brush, spray or roller. Best results can be obtained with airless spray equipment. See BITEC Application Bulletins for additional information.

HANDLING & STORAGE

Impersol EB Metal Base Coat vehicle is a blend of solvents considered combustible by the standards of the D.O.T. and O.S.H.A. Keep away from heat, open flame, or sparks. Use in a well ventilated area.

Notice: Impersol EB Metal Base Coat should be used and stored away from flames, in a well-ventilated atmosphere. Avoid prolonged breathing of vapors and prevent contact with eyes. Read all label information, SDS, and precautions before using. The specifications, properties and performance of materials described herein are based on information believed to be reliable. Unless otherwise expressly provided in written contract, the products discussed are sold without conditions or warranties, expressed or implied. Product specifications are subject to change without notice.

Technical Data	Metal Base Coat
Coverage Rate	65-100 ft ² /gal
Viscosity (78°F)	4,000 cP
Drying Time	2-4 hours
Elongation (ASTM D412)	500%
Tensile Strength (ASTM D412)	1,520 psi
Permeance (10mils) (ASTM E96)	0.166 perms
Fungi Resist (ASTM G21)	0 Pass
H ₂ O Swell (ASTM D471)	0%
Weathering (ASTM 4798)	Pass
Weight	8.5 lb/gal
Flash Point	101°F (38.33° C)
Low Temp. Flex (ASTM D522)	Pass

Recommended Spray Equipment	Airless
Tip size	0.025"
Fluid Pressure (psi)	3000
Fluid hose size	3/8" - 1/2"
Standard Color	White



BITEC
P.O. Box 497
No. 2 Industrial Park Drive, Morrilton, Arkansas
72110 Phone 1-800-535-8597
Fax (501) 354-3019
www.bi-tec.com

Impersol™ EB EP Roof Coating 51

PRODUCT INFORMATION



OVERVIEW

Impersol EB EP Roof Coating 51 is a rubber top-coat that provides excellent waterproofing for various substrates. It is a one-component product that has excellent adhesion to properly prepared surfaces. Impersol EB EP Roof Coating 51 is thermally stable and resists cracking and peeling due to weather extremes. Impersol EB EP Roof Coating 51, contains approximately 50% solids.

WHEN QUALITY MATTERS™

TYPES OF APPLICATION

- Metal Roofing
- TPO
- Hypalon
- EPDM
- Modified Bitumen
- BUR
- Urethane Foam
- Concrete surfaces

SURFACE PREPARATION

The surface must be free of any dirt, moisture, oils, algae or other contaminants that may interfere with good adhesion. Carefully remove any loose material from surface with a wire brush or scraper. Grease and oil should also be removed with environmentally safe solvents or an appropriate detergent cleaner such as Impersol Cleaner Degreaser. In most cases a high pressure water blast will be sufficient to prepare the surface.

APPLICATION TEMPERATURES

For best results, the temperature of the ambient air and the substrate should be within a range of 50°-100°F. For best spray application, the product should be at a minimum of 60°F. Lower temperatures can be utilized for brush applications.

APPLICATION METHODS

Impersol EB EP Roof Coating 51 can be applied by brush, spray or roller. Best results can be obtained with airless spray equipment. See BITEC Application Bulletins for additional information.

HANDLING & STORAGE

Impersol EB EP Roof Coating 51 vehicle is a blend of solvents considered combustible by the standards of the D.O.T. and O.S.H.A. Keep away from heat, open flame, or sparks. Use in a well ventilated area.

Notice: Impersol EB EP Roof Coating 51 should be used and stored away from flames, in a well-ventilated atmosphere. Avoid prolonged breathing of vapors and prevent contact with eyes. Read all label information, SDS, and precautions before using. The specifications, properties and performance of materials described herein are based on information believed to be reliable. Unless otherwise expressly provided in written contract, the products discussed are sold without conditions or warranties, expressed or implied. Product specifications are subject to change without notice.

Technical Data	Roof Coating 51
Coverage Rate	65 - 100 ft ² /gal
Viscosity (78°F)	4,000 cP
Drying Time	2- 4 hours
Elongation (ASTM D412)	400%
Tensile Strength(ASTM D412)	1,500 psi
Permeance (10mils) (ASTM E96)	0.166 perms
Fungi Resist (ASTM G21)	0 Pass
H ₂ O Swell (ASTM D471)	0%
Weathering (ASTM 4798)	Pass
Weight	8.6 lb/gal
Flash Point	101°F (38.33° C)
Low Temp. Flex (ASTM D522)	Pass
Recommended Spray Equipment	Airless
Tip size	0.025"
Fluid Pressure (psi)	3000
Fluid hose size	3/8" - 1/2"
Standard Color	White
Wet Adhesion	(ASTM C794/D903)
Metal, APP&SBS Mod.Bit., BUR, EPDM TPO, Hypalon, SPUF (Foam)	Pass



BITEC
P.O. Box 497
No. 2 Industrial Park Drive, Morrilton, Arkansas
72110 Phone 1-800-535-8597
Fax (501) 354-3019
www.bi-tec.com

Impersol™ EB EP Roof Coating BB



PRODUCT INFORMATION

OVERVIEW

Impersol EB EP Roof Coating BB is a rubber roof coating that provides excellent waterproofing and bleed blocking for various substrates. It is a one-component product that has excellent adhesion to properly prepared surfaces. Impersol EB EP Roof Coating BB is thermally stable, blocks bleeding, and resists cracking and peeling due to weather extremes. Impersol EB EP Roof Coating BB, contains approximately 57% solids.

WHEN QUALITY MATTERS™

TYPES OF APPLICATION

- Metal Roofing
- TPO
- Hypalon
- EPDM
- Modified Bitumen
- BUR
- Urethane Foam
- Concrete surfaces

SURFACE PREPARATION

The surface must be free of any dirt, moisture, oils, algae or other contaminants that may interfere with good adhesion. Carefully remove any loose material from surface with a wire brush or scraper. Grease and oil should also be removed with environmentally safe solvents or an appropriate detergent cleaner such as Impersol Cleaner Degreaser. In most cases a high pressure water blast will be sufficient to prepare the surface.

APPLICATION TEMPERATURES

For best results, the temperature of the ambient air and the substrate should be within a range of 50°-100°F. For best spray application, the product should be at a minimum of 70°F. Lower temperatures can be utilized for brush applications.

APPLICATION METHODS

Impersol EB EP Roof Coating BB can be applied by brush, spray or roller. Best results can be obtained with airless spray equipment. See BITEC Application Bulletins for additional information.

HANDLING & STORAGE

Impersol EB EP Roof Coating BB vehicle is a blend of solvents considered combustible by the standards of the D.O.T. and O.S.H.A. Keep away from heat, open flame, or sparks. Use in a well ventilated area.

Notice: Impersol EB EP Roof Coating BB should be used and stored away from flames, in a well-ventilated atmosphere. Avoid prolonged breathing of vapors and prevent contact with eyes. Read all label information, SDS, and precautions before using. The specifications, properties and performance of materials described herein are based on information believed to be reliable. Unless otherwise expressly provided in written contract, the products discussed are sold without conditions or warranties, expressed or implied. Product specifications are subject to change without notice.

Technical Data	Roof Coating BB
Coverage Rate	65 -100 ft ² /gal
Viscosity (78°F)	4,800 cP
Drying Time	2- 4 hours
Elongation (ASTM D412)	400%
Tensile Strength(ASTM D412)	1,250 psi
Permeance (10mils) (ASTM E96)	0.166 perms
Fungi Resist (ASTM G21)	0 Pass
Solids	57% approximately
Weathering (ASTM 4798)	Pass
Weight	9.0 lb/gal
Flash Point	101°F (38.33° C)
Low Temp. Flex (ASTM D522)	Pass

Recommended Spray Equipment	Airless
Tip size	0.025" - 0.035"
Fluid Pressure (psi)	3000
Fluid hose size	3/8" - 1/2"
Standard Color	White



BITEC
P.O. Box 497
No. 2 Industrial Park Drive, Morrilton, Arkansas
72110 Phone 1-800-535-8597
Fax (501) 354-3019
www.bi-tec.com

121721

Impersol™ EB EP Roof Coating 56



PRODUCT INFORMATION

OVERVIEW

Impersol EB EP Roof Coating 56 is a rubber roof coating that provides excellent waterproofing for various substrates. It is a one-component product that has excellent adhesion to properly prepared surfaces. Impersol EB EP Roof Coating 56 is thermally stable, and resists cracking and peeling due to weather extremes. Impersol EB EP Roof Coating 56, contains approximately 56% solids.

WHEN QUALITY MATTERS™

TYPES OF APPLICATION

- Metal Roofing
- TPO
- Hypalon
- EPDM
- Modified Bitumen
- BUR
- Urethane Foam
- Concrete surfaces

SURFACE PREPARATION

The surface must be free of any dirt, moisture, oils, algae or other contaminants that may interfere with good adhesion. Carefully remove any loose material from surface with a wire brush or scraper. Grease and oil should also be removed with environmentally safe solvents or an appropriate detergent cleaner such as Impersol Cleaner Degreaser. In most cases a high pressure water blast will be sufficient to prepare the surface.

APPLICATION TEMPERATURES

For best results, the temperature of the ambient air and the substrate should be within a range of 50°-100°F. For best spray application, the product should be at a minimum of 70°F. Lower temperatures can be utilized for brush applications.

APPLICATION METHODS

Impersol EB EP Roof Coating 56 can be applied by brush, spray or roller. Best results can be obtained with airless spray equipment. See BITEC Application Bulletins for additional information.

HANDLING & STORAGE

Impersol EB EP Roof Coating 56 vehicle is a blend of solvents considered combustible by the standards of the D.O.T. and O.S.H.A. Keep away from heat, open flame, or sparks. Use in a well ventilated area.

Notice: Impersol EB EP Roof Coating 56 should be used and stored away from flames, in a well-ventilated atmosphere. Avoid prolonged breathing of vapors and prevent contact with eyes. Read all label information, SDS, and precautions before using. The specifications, properties and performance of materials described herein are based on information believed to be reliable. Unless otherwise expressly provided in written contract, the products discussed are sold without conditions or warranties, expressed or implied. Product specifications are subject to change without notice.

Technical Data	Roof Coating 56
Coverage Rate	65 -100 ft ² /gal
Viscosity (78°F)	4,800 cP
Drying Time	2 - 4 hours
Elongation (ASTM D412)	400%
Tensile Strength(ASTM D412)	1,250 psi
Permeance (10mils) (ASTM E96)	0.166 perms
Fungi Resist (ASTM G21)	0 Pass
Solids	56% approximately
Weathering (ASTM 4798)	Pass
Weight	8.95 lb/gal
Flash Point	101°F (38.33° C)
Low Temp. Flex (ASTM D522)	Pass

Recommended Spray Equipment	Airless
Tip size	0.025" - 0.035"
Fluid Pressure (psi)	3000
Fluid hose size	3/8" - 1/2"
Standard Color	White



BITEC
P.O. Box 497
No. 2 Industrial Park Drive, Morrilton, Arkansas
72110 Phone 1-800-535-8597
Fax (501) 354-3019
www.bi-tec.com

Impersol™ EB Surface Sealer

PRODUCT INFORMATION



OVERVIEW

BITEC EB Surface Sealer is a heavy rubber base/filler coat for various roofing substrates, including BUR and Modified Bitumen. It is an economical, one component product that is easy to use. BITEC EB Surface Sealer seals minor alligating and other surface irregularities, providing an excellent base for other BITEC EB coatings to be applied.

WHEN QUALITY MATTERS™

TYPES OF APPLICATION

- Modified Bitumen
- BUR
- Concrete surfaces

SURFACE PREPARATION

The surface must be free of any moisture, rust scale, soil or other contaminants that may interfere with good adhesion. Remove any loose material from seams or other surfaces with a wire brush or scraper. Oil and grease should also be removed. In many cases Impersol Cleaner Degreaser and a high pressure water blast will be sufficient to prepare the surface.

APPLICATION TEMPERATURES

For best results, the temperature of the ambient air and the substrate should be within a range of 50°-100°F. For best spray application, the product should be at a minimum of 70°F. Lower temperatures can be utilized for brush applications.

APPLICATION METHODS

BITEC EB Surface Sealer can be applied by brush, spray or roller. Best results can be obtained with airless spray equipment. See BITEC Application Bulletins for additional information.

HANDLING & STORAGE

BITEC EB Surface Sealer vehicle is a blend of solvents considered combustible by the standards of the D.O.T. and O.S.H.A. Keep away from heat, open flame, or sparks. Use in a well ventilated area.

Notice: BITEC EB Surface Sealer should be used and stored away from flames, in a well-ventilated atmosphere. Avoid prolonged breathing of vapors and prevent contact with eyes. Read all label information, SDS, and precautions before using. The specifications, properties and performance of materials described herein are based on information believed to be reliable. Unless otherwise expressly provided in written contract, the products discussed are sold without conditions or warranties, expressed or implied. Product specifications are subject to change without notice.

Technical Data	Surface Sealer
Coverage Rate	65-100 ft ² /gal
Viscosity (78°F)	4,000 cP
Drying Time	2-4 hours
Elongation (ASTM D412)	500%
Tensile Strength(ASTM D412)	1,520 psi
Permeance (10mils) (ASTM E96)	0.166 perms
Fungi Resist (ASTM G21)	0 Pass
H ₂ O Swell (ASTM D471)	0%
Weathering (ASTM 4798)	Pass
Weight	8.5 lb/gal
Flash Point	101°F (38.33° C)
Low Temp. Flex (ASTM D522)	Pass

Recommended Spray Equipment	Airless
Tip size	0.025"
Fluid Pressure (psi)	3000
Fluid hose size	3/8" - 1/2"
Standard Color	White



BITEC

P.O. Box 497

No. 2 Industrial Park Drive, Morrilton, Arkansas

72110 Phone 1-800-535-8597

Fax (501) 354-3019

www.bi-tec.com

121721

Impersol™ EB Flashing Compound

PRODUCT INFORMATION



OVERVIEW

Impersol EB Flashing Compound is a unique rubber compound that is extremely effective for sealing fasteners, laps and penetrations on various roof surfaces. It is a one-component product that has excellent adhesion to properly prepared substrates. Impersol EB Flashing Compound is thermally stable and resists cracking and peeling due to ozone and ultraviolet exposure. It is typically top-coated with Impersol EB All-In-One for maximum weather resistance. Impersol EB Flashing Compound has excellent physical properties and reduces costly re-applications.

WHEN QUALITY MATTERS™

TYPES OF APPLICATION

- Metal Buildings and Roofs
- Modified and BUR Roofs
- Urethane Foam Roofs
- Single Ply Roofs
- Concrete surfaces

SURFACE PREPARATION

The surface must be free of any dirt, moisture, oils, algae or other contaminants that may interfere with good adhesion. Carefully remove any loose material from surface with a wire brush or scraper. Grease and oil should also be removed with environmentally safe solvents or an appropriate detergent cleaner such as IMPERSOL Cleaner Degreaser. In most cases a high pressure water blast will be sufficient to prepare the surface.

APPLICATION TEMPERATURES

To obtain the best results, ambient temperatures of the air and the substrate should range between 40°- 100°F. Although lower temperatures can be used for brush applications, it is recommended that the product temperature be a minimum of 70°F when pumping the product.

APPLICATION METHODS

Impersol EB Flashing Compound can be brushed, rolled or pumped onto the surface. Apply heavy, uniform coat over fasteners, seams, etc. See BITEC application bulletins for additional information.

HANDLING & STORAGE

Impersol EB Flashing Compound vehicle is a blend of solvents considered combustible by the standards of the D.O.T. and O.S.H.A. Keep away from heat, open flame, or sparks. Use in a well ventilated area.

Notice: Impersol should be used and stored away from flames, in a well-ventilated atmosphere. Avoid prolonged breathing of vapors and prevent contact with eyes. Read all label information, SDS, and precautions before using. The specifications, properties and performance of materials described herein are based on information believed to be reliable. Unless otherwise expressly provided in written contract, the products discussed are sold without conditions or warranties, expressed or implied. Product specifications are subject to change without notice.

AVAILABLE SIZES

- 0.5 gallon
- 1.0 gallon
- 2.5 gallons
- 5.0 gallons

Technical Data	Flashing Compound
Viscosity	12,000 Cp
VOC	436 g/l
Solids (%/V)	53 +/- 1
Solids (%/wt)	60 +/- 1
Resin	Synthetic Rubber
Color	White
Reduction	None
Elongation	400 %



BITEC

P.O. Box 497

No. 2 Industrial Park Drive, Morrilton, Arkansas

72110 Phone 1-800-535-8597

Fax (501) 354-3019

www.bi-tec.com

121721

Impersol™ EB Rubber Skylight Coating

PRODUCT INFORMATION



OVERVIEW

Impersol EB Rubber Skylight Coating is a clear rubber coating that provides extremely effective protection for fiberglass skylight panels. It is a one-component product that has excellent adhesion to properly prepared surfaces. The coating is thermally stable and resists cracking and peeling due to weather extremes and ultraviolet exposure.

Recommended use: For Skylights Only

APPLICATION INSTRUCTIONS

The surface must be free of any dirt, moisture, oils, algae or other contaminants that may interfere with good adhesion. Carefully remove any loose material from surface with a wire brush or scraper. Grease and oil should also be removed with environmentally safe solvents or an appropriate detergent cleaner such as Impersol Cleaner De-greaser. In most cases a high pressure water blast will be sufficient to prepare the surface.

To obtain the best results, ambient temperatures of the air and the substrate should range between 50°- 100°F. For optimum application, the product should be at a minimum of 60°F.

Impersol EB Rubber Skylight Coating can be applied by brush, or roller. See BITEC application bulletins for additional information.

Impersol EB Rubber Skylight Coating vehicle is a blend of solvents considered combustible by the standards of the D.O.T. and O.S.H.A.

APPLICATION SHOULD BE SUSPENDED IMMEDIATELY AND OUR TECHNICAL SERVICE PERSONNEL CONTACTED IF THE RESULTS BEING OBTAINED ARE LESS THAN DESIRABLE.

HANDLING & STORAGE

Notice: It should be used and stored away from flames, in a well-ventilated atmosphere. Avoid prolonged breathing of vapors and prevent contact with eyes. Read all label information, SDS, and precautions before using. The specifications, properties and performance of materials described herein are based on information believed to be reliable. Unless otherwise expressly provided in written contract, the products discussed are sold without conditions or warranties, expressed or implied. Product specifications are subject to change without notice.

Technical Data	Skylight Coating
Coverage Rate	80 -100 ft ² /gal
Viscosity (78° F)	1,500 cP
Drying Time	1 - 3 hours
Elongation (ASTM D412)	400%
Tensile Strength(ASTM D412)	1,520 psi
Permeance (10mils) (ASTM E96)	0.166 perms
Color	Clear
Solids	37.1% approximately
Specific Gravity	0.864
Weight	7.2 lb/gal
Flash Point	101°F (38.33° C)
Wet / Dry Mil Thickness	10 - 12 mils / 4 - 5 mils



BITEC
P.O. Box 497
No. 2 Industrial Park Drive, Morrilton, Arkansas
72110 Phone 1-800-535-8597
Fax (501) 354-3019
www.bi-tec.com

121721

Impersol™ SI Silicone Coating

PRODUCT INFORMATION



OVERVIEW

Impersol™ SI Silicone is a high solid, low VOC, one-part silicone elastomeric coating specifically designed for use in roofing applications as a protective coating over a variety of roofing substrates. Once cured this liquid applied silicone coating provides a durable, seamless, flexible, waterproof membrane that resists lateral movement, shear and will allow for normal expansion and contraction. Mil for mil, Impersol SI Silicone provides greater UV protection than similar silicone coatings and offers increased resistance to moisture penetration. Impersol SI Silicone provides excellent long term protection through exceptional weatherability properties.

Recommended uses:

Impersol SI Silicone was specifically developed as a protective coating for EPDM, TPO, PVC, modified bitumen, and smooth BUR. With excellent adhesion and durability, Impersol SI Silicone is proven to provide excellent UV protection and long term durability for spray polyurethane foam.

APPLICATION INSTRUCTIONS

Impersol SI Silicone may be applied by medium nap rollers, soft brushes or high pressure airless spray equipment. Apply Impersol SI Silicone™ only to clean, dry, sound surfaces free of loose particles or other foreign matter. For best results, ambient temperature should be between 50-90°F. Higher temperatures will shorten the cure time and working time for proper application of granules before the material has skinned. Lower temperatures will lengthen the skin over, tack free and ultimate cure time. Sudden temperature declines may also result in dew formation on surfaces, which can prevent adhesion development. For best results, relative humidity should be above 20%. Lower humidity will slow the cure time significantly.

Apply Impersol SI Silicone at the rate of 1.25 gallons per 100 sq. ft. Minimum dry mil thickness shall be above 20 mils. Two passes of silicone and a primer coat may be required for some applications and warranty programs. PRODUCT APPLICATION SHOULD BE SUSPENDED IMMEDIATELY AND OUR TECHNICAL SERVICE PERSONNEL CONTACTED IF THE RESULTS BEING OBTAINED ARE LESS THAN DESIRABLE.

LIMITATIONS AND PRECAUTIONS

Avoid contamination in sealed containers. Store away from heat and sources of ignition. Do not inhale vapor or mist; do not get on skin, in eyes or on clothing. Refer to SDS for more information.

Typical Physical Properties	SI Coating
Total Solids (ASTM D2697)	96% ± 2 by vol
Weight Per Gallon	10.7 lbs per gal
Flash Point	>160° F (71.11°C)
Shelf Life	12 months @ 50°- 85° F (10°- 29.44°C)
Viscosity	8,000 – 12,000 cP
Elongation	249% ± 50
Hardness	50 ± 5 shore A
Tensile Strength	325 psi ± 50
Permeability	4.2 perms
Service Temperature	-50° to 200° F (-45.56°- 93.33°C)
Thinner	not recommended
Solar Reflectance	87%
Thermal Emittance	89%
Cure Times	2-8 hours
Tack Free	1 hour
Skin Over	30 minutes



BITEC
P.O. Box 497
No. 2 Industrial Park Drive, Morrilton, Arkansas
72110 Phone 1-800-535-8597
Fax (501) 354-3019
www.bi-tec.com

Impersol™ SI Silicone Joint Compound

PRODUCT INFORMATION



OVERVIEW

Impersol SI Joint Compound is a high solid, low VOC, one-part silicone elastomeric flashing grade specifically designed for use in sealing roof penetrations, curbs, seams, flashing areas, and any other roof top areas of possible water infiltration. Impersol SI Joint Compound is also the sealant of choice for any roof system that has been previously coated with a silicone elastomeric coating. Once applied, this silicone flashing grade provides a durable, seamless and flexible system that resists lateral movement, shear and will allow for normal expansion and contraction. Mil for mil, Impersol SI Joint Compound provides greater waterproofing protection than similar flashing grade silicone sealants and offers increased resistance to moisture penetration.

Recommended uses:

Impersol SI Joint Compound was specifically developed as a protective sealant for pipe boots, seams, flashing areas, curbs, exposed fasteners and all other breaches in a roof system that will allow water to enter a structure. With excellent adhesion to other silicone products, Impersol SI Joint Compound is proven to provide long term durability versus water based sealants.

APPLICATION INSTRUCTIONS

Impersol SI Joint Compound may be applied by soft brushes or trowels. Impersol SI Joint Compound can be applied to WET SUBSTRATES AND UNDERWATER! Impersol SI Joint Compound is an excellent emergency repair product. For best results, ambient temperature should be between 50- 90°F. Higher temperatures will shorten the cure time and working time for proper application. Lower temperatures will lengthen the skin over, tack free and ultimate cure time. Sudden temperature declines may also result in dew formation on surfaces. For best results, relative humidity should be above 20%. Lower humidity will slow the cure time significantly. Apply Impersol SI Joint Compound at a rate of no greater than 50 wet mils. Minimum dry mil thickness shall be above 25 mils. Coverage rates are:

PER GALLON: 750 fasteners; 100 linear feet of seam at 4" wide and 40 wet mils.

LIMITATIONS AND PRECAUTIONS

Avoid contamination in sealed containers. Store away from heat and sources of ignition. Do not inhale vapor or mist, do not get on skin, in eyes or on clothing. Refer to SDS for more information.

Typical Physical Properties	SI Coating
Total Solids (ASTM D2697)	97% ± 3 by vol
Weight Per Gallon	10.7 lb/gal
Flash Point	> 150° F (65.6°C)
Shelf Life	12 months @ 50° - 85° F (10° - 29.44°C)
Viscosity	8,000 – 12,000 cP
Elongation	275% ± 50
Hardness	50 ± 5 shore A
Tensile Strength	130 psi ± 50
Permeability	4.2 perms
Service Temperature	-25° to 175° F (-31.7° - 79.5°C)
Thinner	not recommended
Solar Reflectance	87%
Thermal Emittance	89%
Cure Times	12-18 hours
Tack Free	1-2 hour
VOC	< 50 g/l



BITEC
P.O. Box 497
No. 2 Industrial Park Drive, Morrilton, Arkansas
72110 Phone 1-800-535-8597
Fax (501) 354-3019
www.bi-tec.com

121721

Impersol™ Multi-System Bleed Blocker

PRODUCT INFORMATION



OVERVIEW

BITEC Impersol Multi-System Bleed Blocker is a multi-purpose primer developed to promote superior anchorage for roof coating topcoats over a variety of substrates. Impersol Multi-System Bleed Blocker provides a long-lasting breathable and flexible membrane to help block the asphaltic components that can discolor topcoats and has excellent resistance to heat, cold, moisture and weathering.

WHEN QUALITY MATTERS™

TYPES OF APPLICATION

- Wood
- APP & SBS Mod. Bit.
- BUR
- Concrete
- Various Single Ply Membranes
- Urethane Foam
- Most commonly used roof coatings
- Metal
- Masonry
- Concrete surfaces

SURFACE PREPARATION

The surface must be free of any moisture, rust scale, soil or other contaminants that may interfere with good adhesion. Remove any loose material from seams or other surfaces with a wire brush or scraper. Oil and grease should also be removed. In many cases Impersol Cleaner Degreaser and a high pressure water blast will be sufficient to prepare the surface.

APPLICATION INSTRUCTIONS

Medium nap rollers or conventional airless spray equipment may be used to apply BITEC Impersol Multi-System Bleed Blocker. Apply product only to clean, dry surfaces, free of loose particles or other foreign matter. Pressure washing is required on metal surfaces showing signs of oxidation. Apply BITEC Impersol Multi-System Bleed Blocker at the rate of ¾ - 1 gallon per 100ft², according to substrate and condition. Normal drying time is 1 - 3 hours. PRODUCT APPLICATION SHOULD BE SUSPENDED IF THE RESULTS OBTAINED ARE LESS THAN DESIRABLE AND CONTACT OUR TECHNICAL SERVICE PERSONNEL

PRECAUTIONS

BITEC Impersol Multi-System Bleed Blocker is a water-based acrylic primer, which will freeze and become unusable at temperatures below 32°F. PROTECT FROM FREEZING DURING SHIPMENT AND STORAGE. Do not store material at temperatures below 45°F. Do not apply if air and substrate temperatures fall below 45°F or when inclement weather is forecasted. Do not leave beyond 48 hours as weathering and dirt pick up will compromise adhesive performance properties.

BITEC Impersol Multi-System Bleed Blocker is pigmented black or dark gray to speed the curing process and increase roof surface temperature before application of spray polyurethane foam or roof coatings. The environmentally safe formulation makes an ideal solution for indoor applications. BITEC Impersol Multi-System Bleed Blocker is the ideal solution for indoor applications.

Technical Data	MS Bleed Blocker
Coverage Rate	0.75 - 1.0 gal/100 ft ²
Viscosity	650 +/- 250 cP
Drying Time	1 - 3 hours
Weight	8.6 +/- 0.3 lb/gal
Total Solids (ASTM D1644)	39% +/- 2% by volume
Flash Point	None
Clean Up	Water



BITEC
P.O. Box 497
No. 2 Industrial Park Drive, Morrilton, Arkansas
72110 Phone 1-800-535-8597
Fax (501) 354-3019
www.bi-tec.com

121721

Impersol™ AC Premium

PRODUCT INFORMATION



OVERVIEW

Impersol™ AC Premium is a CRRC listed, white acrylic roof coating that can reduce roof temperatures by 50 to 80 degrees. The fire retardant roof coating is formulated from water-based, pure acrylic, self-curing latex polymers. Impersol AC Premium, an elastomeric coating, also contains unique bleed blocking polymers that eliminates the need for a coating primer. It is designed for application by brush, roller or spray. Once cured, Impersol AC Premium preserves roof surfaces and reduces under roof temperatures to create a more pleasant interior work environment that is less costly to maintain. Impersol AC Premium meets Title 24 requirements.

SURFACE PREPARATION

The surface must be free of any dirt, moisture, oils, algae or other contaminants that may interfere with good adhesion. Carefully remove any loose material from surface with a wire brush or scraper. Grease and oil should also be removed with environmentally safe solvents or an appropriate detergent cleaner such as Impersol Cleaner/Degreaser. In most cases a high pressure water blast will be sufficient to prepare the surface. All fresh applications of mastics, coatings or asphalt adhesives require a minimum of 30 days to cure prior to application of Imper-Sol.

APPLICATION TEMPERATURES

To obtain the best results, ambient temperatures of the air and the substrate should range between 50°- 95°F. For optimum application, the product should be at a minimum of 60°F.

APPLICATION METHODS

Roller, Brush or Spray. Imper-Sol should be applied at a rate of 1-2 gallons per 100 ft.² (0.41-.81 l/m²) per coat depending on the substrate. For best results, apply a two-coat application in a crosshatch manner.

HANDLING & STORAGE

- Store material in dry protected areas and on clean raised platforms and keep from freezing
- Shelf life is one year in an unopened container
- All safety and good roofing practices should be followed while applying this product

Notice: It should be used and stored away from flames, in a well-ventilated atmosphere. Avoid prolonged breathing of vapors and prevent contact with eyes. Read all label information, SDS, and precautions before using. The specifications, properties and performance of materials described herein are based on information believed

to be reliable. Unless otherwise expressly provided in written contract, the products discussed are sold without conditions or warranties, expressed or implied. Product specifications are subject to change without notice.

Technical Schedule	AC Premium
Color	White
Weathering (ASTM D-4798)	1,000 h, no deterioration
Non-volatile (ASTM D-1644)	66% min
Density @ 77°F of (25°C) (ASTM D-1475)	12 lb./gal (1.43g/cm ³)
Elongation (ASTM D-2370)	100% minimum
Tensile strength (ASTM D-2370)	200 psi minimum
Shelf life	1 yr. in an unopened container
Reflectance	0.84 (initial) .78 (3-year aged)
Emittance	.91 (initial)
SRI	106
Coverage	1.0-1.5 gal./100 ft. ² (0.41-0.61 l/m ²) per coat (2-coat application required)
VOC	<50 g/l
Packaging	5 gallon pail (18.9 l) 55 gallon drum (208.2 l)

All values are approximate.



Roofing Systems Component for the Material Characteristics in Accordance with ASTM D 4586-0045P1



BITEC
P.O. Box 497
No. 2 Industrial Park Drive, Morrilton, Arkansas
72110 Phone 1-800-535-8597
Fax (501) 354-3019
www.bi-tec.com

121721

Impersol™ AC Contractor Grade

PRODUCT INFORMATION



OVERVIEW

Impersol™ AC Contractor Grade is a CRRC-listed, white acrylic roof coating that can reduce roof temperatures by 50 to 80 degrees. The fire retardant roof coating is formulated from water-based, pure acrylic, self-curing latex polymers. Impersol AC Contractor Grade, an elastomeric coating. It is designed for application by brush, roller or spray. Once cured, Impersol AC Contractor Grade preserves roof surfaces and reduces under roof temperatures to create a more pleasant interior work environment that is less costly to maintain.

SURFACE PREPARATION

The surface must be free of any dirt, moisture, oils, algae or other contaminants that may interfere with good adhesion. Carefully remove any loose material from surface with a wire brush or scraper. Grease and oil should also be removed with environmentally safe solvents or an appropriate detergent cleaner such as Impersol Cleaner/Degreaser. In most cases a high pressure water blast will be sufficient to prepare the surface. All fresh applications of mastics, coatings or asphalt adhesives require a minimum of 30 days to cure prior to application of Impersol.

APPLICATION TEMPERATURES

To obtain the best results, ambient temperatures of the air and the substrate should range between 50° - 95°F. For optimum application, the product should be at a minimum of 60°F.

APPLICATION METHODS

Roller, Brush or Spray. Imper-Sol should be applied at a rate of 1-2 gallons per 100 ft.² (0.41-.81 l/m²) per coat depending on the substrate. For best results, apply a two-coat application in a crosshatch manner.

HANDLING & STORAGE

- Store material in dry protected areas and on clean raised platforms and keep from freezing
- Shelf life is one year in an unopened container
- All safety and good roofing practices should be followed while applying this product

Notice: It should be used and stored away from flames, in a well-ventilated atmosphere. Avoid prolonged breathing of vapors and prevent contact with eyes. Read all label information, SDS, and precautions before using. The specifications, properties and performance of materials described herein are based on information believed to be reliable. Unless otherwise expressly provided in written contract, the products discussed are sold without conditions or warranties, expressed or implied. Product specifications are subject to change without notice.

Technical Schedule	AC Contractor Grade
Color	White
Weathering (ASTM G26)	3,800 h, no deterioration
Algae Resistance (ASTM G29-96)	No growth supported
Fungi Resistance (ASTM G29-96)	No growth supported
Elongation (ASTM D412)	315%
Tensile strength (ASTM D2370)	400 psi
Shelf life	1 yr. in an unopened container
Reflectance	0.82
Emittance	0.90
Weight	11.4 lb/gal.
Coverage	1.0-2.0 gal./100 ft. ² (0.41-0.81 l/m ²) per coat (2-coat application required)
Recommended Final Dry Mil Thickness	>25 mils
Packaging	5 gallon pail (18.9 l) 55 gallon drum (208.2 l)

All values are approximate.



BITEC
P.O. Box 497
No. 2 Industrial Park Drive, Morrilton, Arkansas
72110 Phone 1-800-535-8597
Fax (501) 354-3019
www.bi-tec.com

121721

Impersol™ AC Joint Compound

PRODUCT INFORMATION



OVERVIEW

Impersol AC Joint Compound is a high quality, high solids, acrylic elastomeric seam sealer designed to bridge and seal seams, gutters, vent pipe flashings, air conditioning units and expansion joints for all types of roofing substrates. Impersol AC Joint Compound has excellent weatherability and ultraviolet resistance. Impersol AC Joint Compound also offers a flexible, durable sealer with excellent resistance to mechanical or chemical attack.

Recommended uses:

Impersol AC Joint Compound should be applied only to clean, dry, sound surfaces free of loose particles or other foreign matter. Over metal surfaces that show signs of oxidation, rust should be removed by wire brushing if necessary after pressure washing. A primer is required over such areas, as well as over areas that may have existing caulking.

APPLICATION INSTRUCTIONS

Impersol AC Joint Compound may be applied by brushing or troweling. Impersol Joint Tape or Impersol Polyester Mesh is recommended over cracks or bridges that exceed 1/16". Apply at a rate of 50 wet mils maximum. Refer to the system design guideline section relevant to substrate being treated for complete application instructions. APPLICATION SHOULD BE SUSPENDED IMMEDIATELY AND OUR TECHNICAL SERVICE PERSONNEL CONTACTED IF THE RESULTS BEING OBTAINED ARE LESS THAN DESIRABLE.

COVERAGE RATE:

Approx. 300 fasteners per gallon; 85 linear feet of seams at 4" wide

LIMITATIONS AND PRECAUTIONS

Impersol AC Joint Compound is a water based acrylic seam compound which will freeze and become unusable at temperatures below 32°. PROTECT FROM FREEZING DURING SHIPMENT AND STORAGE. Do not store material at temperatures below 45° F. Do not apply Impersol AC Joint Compound at temperatures below 50° F or if there is a chance of temperatures falling below 32° F within a 24 hour period. Do not apply Impersol AC Joint Compound over wet substrates or when inclement weather is imminent.



BITEC
P.O. Box 497
No. 2 Industrial Park Drive, Morrilton, Arkansas
72110 Phone 1-800-535-8597
Fax (501) 354-3019
www.bi-tec.com

121721

Impersol™ Cleaner / Degreaser

PRODUCT INFORMATION



OVERVIEW

Impersol Cleaner / Degreaser is an alkaline, biodegradable, non-flammable cleaner and degreaser that uses alkaline builders, penetrants, emulsifiers and water conditioners to safely clean various roofing surfaces. Its unique penetrating qualities get under and lift soil and stains. Powerful micro emulsifiers go to work in breaking down the contaminates into very fine particles which can be flushed away.

WHEN QUALITY MATTERS™

USES

- Pressure washing roofs and other surfaces
- Single ply membranes
- Metal Roofing
- General degreasing

DIRECTIONS

Impersol Cleaner / Degreaser cleans oil, grease, grime, mildew, dirt and other soils from roof membranes and surfaces.

For heavy deposits and degreasing, use 1:1 to 1:5 with water and apply. Brush if necessary and rinse with a minimum of 2000 PSI. For normal cleaning of roof surfaces, use 1:40 with water. Spray apply dilute solution at a rate of 400 to 500 sf/gal. Allow solution to saturate surface for a minimum of 20 minutes prior to power washing. Power wash with a minimum of 2000 PSI, beginning at the lowest point on the roof and work upwards.

Once highest point is reached, work down again with a final rinse to remove any excess contaminates from the roof. Use protective glasses and clothing when using this product. Do Not use on soft painted surfaces at a dilution rate less than 1:30

Caution: Keep out of eyes. Do not ingest. Keep out of reach of children. Avoid breathing of mist. Keep container tightly closed when not in use.

The specifications, properties and performance of materials described herein are based on information believed to be reliable. Unless otherwise expressly provided in written contract, the products discussed are sold without conditions or warranties, expressed or implied. Product specifications are subject to change without notice

AVAILABLE SIZE

- 1.0 gallon bottle



BITEC

P.O. Box 497

No. 2 Industrial Park Drive, Morrilton, Arkansas

72110 Phone 1-800-535-8597

Fax (501) 354-3019

www.bi-tec.com

121721

Impersol™ Seam Tape

PRODUCT INFORMATION



OVERVIEW

Impersol Seam Tape is ideally suited for use with Impersol EB series of synthetic rubber coatings. They quickly wet-out and saturate the fiber structure of the fleece backing. These properties ensure a true monolithic membrane which remains intact even under thermal shock conditions.

AVAILABLE SIZES

- 2" x 50' Roll
- 4" x 50' Roll

WHEN QUALITY MATTERS™

USES

- Reinforces seams, cracks, and penetrations on various surfaces
- Single ply membranes
- Galvanized metal Roofing
- Concrete
- Modified bitumen

DIRECTIONS

Impersol Seam Tape is easy to apply. Simply line up the two adjoining areas to be sealed, with the release paper still attached, then start removing the release paper from the underside and placing the membrane close to the desired position. It can then be worked into all cracks and crevices using your fingers, a blunt awl, or plastic knife.

ADVANTAGES

Impersol Seam Tape provides good elongation and maintains its elasticity at extremely low temperatures. It cannot be stretched in the uncoiling direction, but can be easily stretched or formed across the web. It has no elastic memory and will not creep, allowing it to remain exactly where it is placed. When used with Impersol EB rubber coatings, they provide strong, flexible repairs.

Impersol Seam Tape is compatible with both solvent-based and water-based coatings.

Clean up: Tools and equipment can be easily cleaned with mineral spirits.

The specifications, properties and performance of materials described herein are based on information believed to be reliable. Unless otherwise expressly provided in written contract, the products discussed are sold without conditions or warranties, expressed or implied. Product specifications are subject to change without notice.



BITEC
P.O. Box 497
No. 2 Industrial Park Drive, Morrilton, Arkansas
72110 Phone 1-800-535-8597
Fax (501) 354-3019
www.bi-tec.com

121721

Impersol™ Polyester Mesh

PRODUCT INFORMATION



OVERVIEW

Impersol Seam Tape series polyester mesh is a stitchbonded material that is ideally suited for use with Impersol EB series of synthetic rubber coatings. The parallel fiber structure allows BITEC rubber coatings to quickly wet-out and totally saturate. These properties ensure a true monolithic membrane which remains intact even under thermal shock conditions.

WHEN QUALITY MATTERS™

USES

- Various roofing surfaces
- Concrete, stucco, and brick
- Wood joints and cracks

ADVANTAGES

Impersol Polyester Mesh provides high tensile strength with good elongation for excellent thermal stress force properties. When used with Impersol EB rubber coatings, they provide flexible, reinforced repairs. Impersol Polyester Mesh are soft flexible polyesters that will readily conform to corrugated metal and many other irregular surfaces. This makes them easier to handle and apply properly than other products.

Impersol Seam Tape is compatible with both solvent-based and water-based coatings.

Clean up: Tools and equipment can be easily cleaned with mineral spirits.

The specifications, properties and performance of materials described herein are based on information believed to be reliable. Unless otherwise expressly provided in written contract, the products discussed are sold without conditions or warranties, expressed or implied. Product specifications are subject to change without notice.

AVAILABLE SIZES

- 2" x 180' Roll
- 4" x 180' Roll
- 6" x 180' Roll
- 12" x 180' Roll
- 40" x 324' Roll



BITEC

P.O. Box 497

No. 2 Industrial Park Drive, Morrilton, Arkansas

72110 Phone 1-800-535-8597

Fax (501) 354-3019

www.bi-tec.com

121721

Impersol™ EB Coating Warranty Systems

Asphalt (Smooth & Granulated) Surface	PRODUCT	10 YEAR WARRANTY	15 YEAR WARRANTY
	Impersol EB Flashing Compound™	80 - 100 linear ft/gal	80 - 100 linear ft/gal
	Impersol EB Surface Sealer™	1.5 gal/100 ft ²	2.0 gal/100 ft ²
	Impersol EB EP Roof Coating 56™	1.5 gal/100 ft ²	2.0 gal/100 ft ²

Metal Roofs	PRODUCT	10 YEAR WARRANTY	15 YEAR WARRANTY
	Impersol EB Flashing Compound™	0.50 gal/100 ft ² (R panel) 0.25 gal/100 ft ² (SS panel)	0.50 gal/100 ft ² (R panel) 0.25 gal/100 ft ² (SS panel)
	Impersol EB Metal Base Coat™	1.00 gal/100 ft ²	1.25 gal/100 ft ²
	Impersol EB EP Roof Coating 51™	1.00 gal/100 ft ²	1.50 gal/100 ft ²

Note: Add 12% for R Panel and 15% for Standing Seam to the Coatings for Coverage Rates

TPO and PVC	PRODUCT	10 YEAR WARRANTY	15 YEAR WARRANTY
	Impersol EB Flashing Compound™	80 - 100 linear ft/gal	80 - 100 linear ft/gal
	Impersol EB Single Ply Base Coat™	1.25 gal/100 ft ²	1.25 gal/100 ft ²
	Impersol EB EP Roof Coating 56™	1.00 gal/100 ft ²	1.50 gal/100 ft ²

EPDM	PRODUCT	10 YEAR WARRANTY	15 YEAR WARRANTY
	Impersol EB Flashing Compound™ (or 4" wide Butyl Tape)	80 - 100 linear ft/gal (Address All Seams)	80 - 100 linear ft/gal (Address All Seams)
	Impersol EB Single Ply Base Coat™	0.75 gal/100 ft ²	0.75 gal/100 ft ²
	Impersol EB EP Roof Coating 56™	1.00 gal/100 ft ²	2.00 gal/100 ft ²

Impersol™ SI Coating Warranty Systems

EPDM/TPO/PVC/METAL	PRODUCT	10 YEAR WARRANTY	15 YEAR WARRANTY
	Impersol SI Silicone Joint Compound™	1.00 gal/ 85 linear ft @ 4" wide	1.00 gal/ 85 linear ft @ 4" wide
	Impersol SI Silicone Coating™	1.50 gal/100 ft ²	2.00 gal/100 ft ²

Modified Bitumen (Smooth & Granulated) Surface	PRODUCT	10 YEAR WARRANTY	15 YEAR WARRANTY
	Impersol SI Silicone Joint Compound™	1.00 gal/ 85 linear ft @ 4" wide	1.00 gal/ 85 linear ft @ 4" wide
	Impersol EB Multi System BB™	1.00 gal/100 ft ²	1.00 gal/100 ft ²
	Impersol SI Silicone Coating™	1.50 gal/100 ft ²	2.00 gal/100 ft ²

Impersol™ AC Coating Warranty Systems

Asphalt / MBM (Smooth & Granulated) Surface	PRODUCT	10 YEAR WARRANTY
	Impersol AC Premium™	3.00 gal/100 ft ²
	Impersol AC Contractor Grade™	4.00 gal/100 ft ²

EB = Synthetic Rubber Coating
SI = Silicone Coating
AC = Acrylic Coating



APPROVED CONTRACTOR APPLICATION

Contact Name: _____ Owner Name: _____

Business Name: _____

Address: _____

City: _____ State: _____ Zip: _____

Telephone No.: _____ Fax No.: _____

Year business founded: _____

Last year's gross sales: \$ _____

% Commercial: _____ % Industrial: _____ % Residential: _____

Current Business Licenses for resident state (Class, ID# & years licensed): _____

Architecture General Contractor Engineering Painting Contactor Roofing Contractor Contractor

Other: _____

Amount of Liability Insurance Covered: _____

Insurance Company & Policy Number: _____

Insurance Agent Name: _____ Phone: _____

List Products and/or Services provided by your business:

Current warranties offered on your services/products:

List the company name and approval date for any company(s) whose products you have been or are an approved/authorized applicator:

Company: _____ Approval Date: _____

Company: _____ Approval Date: _____

Company: _____ Approval Date: _____



LIQUID APPLIED ROOF AND ROOF PRESERVATION SYSTEMS

P.O. Box 497, No. 2 Industrial Park Dr. Morrilton, AR 72110
Phone: 1-800-535-8597 Fax: 501-354-3019
www.bi-tec.com

Do you have any outstanding liens, judgements or unsettled lawsuits? Yes No

Any bankruptcies in the past? **If yes, please attach explanation.** Yes No

Signed: _____ Date: _____

Title: _____

Business: _____

Please attach a case history sheet(s) describing projects you have completed with BITEC products and/or those of other coatings manufacturers.

For this agreement to become valid, signature affixed to this document must be from an officer of the company applying for this authorization.

For BITEC Office Use Only

Signed: _____ Date: _____

Title: _____

BITEC Coatings Authorized Applicator No. C - _____



WC - _____
WARRANTY NO.

TEN (10)-YEAR LABOR & MATERIAL COATING MATERIAL WARRANTY

BITEC, INC. ("BITEC") warrants to the below-named Owner that the BITEC Liquid Applied Roof Membrane identified by use on the opposite side hereof, at the time of installation, shall conform to the published specifications of BITEC subject to the terms of this Warranty.

BITEC warrants that the Liquid Applied Roof Membrane shall be free of manufacturing defects which affects the ability of the product to perform in a watertight manner for a period of Ten (10) years for the date of the original installation of the membrane.

If manufacturing defects should cause the Membrane to lose its watertight integrity during the 10 year Warranty period, BITEC, at its sole option, repair or replace such defective materials; excluding related costs associated with flashings, metal work, or materials not supplied or furnished by BITEC.

APPLICABILITY OF WARRANTY

BITEC'S obligation to refund to Owner a portion of the Membrane's original cost, or the replacement or repair of a portion of the Membrane, according to this Warranty, shall be the sole and exclusive remedy of Owner, and Owner shall not be entitled to additional remedies. Owner expressly waives all other claims for damages, direct or indirect, consequential or incidental, including but not limited to: property damage, personal injury, damage to Owner or third parties, and/or loss of business or profit. BITEC will issue this Warranty to the Owner upon complete installation of Membrane in compliance with BITEC specifications and Warranty terms and after receipt of full payment for installation and supplies. To validate this Warranty, all registration information requested must be completed and mailed to BITEC's general offices within thirty (30) days after installation is complete. Notification of any manufacturing defect must be submitted to BITEC's general offices within ten (10) days after discovery of any such defect. The issued certificate number must be referred to in all correspondence. This Warranty is transferable or assignable only with the prior written approval of BITEC's Manager of Technical Services, and payment of applicable transfer fee.

No representative, employee, agent of BITEC, or any other person has the authority to assume for BITEC, any additional or other liability or responsibility in connection with the Membrane described above unless the change and/or amendment is approved in writing by an authorized BITEC officer.

This Warranty excludes leaks caused by any of the following:

- A. Damage resulting from windstorms exceeding 55 MPH, hailstorms, hurricanes, tornados, gales, lightning, earthquakes, fire, explosions, food, chemical attack, solid objects falling on the Membrane, traffic or storage of materials on the Membrane, Acts of God, wear through misuse or abuse, damage physically inflicted through accidents or man-made causes, riots, vandalism or war.
- B. Defects in failure of or improper application, construction, or design of any roof installation, roof deck, roof insulation, or any other material used as the base over which the Membrane is applied.
- C. Movement or deterioration including but not limited to any expansion or contraction, of any sheet metal or other material used in conjunction with the Membrane.
- D. Any major changes in the principal usage or ownership of the building unless approved in advance, in writing, by BITEC.
- E. Damage to the Membrane caused by settlement, distortion, failure, or cracking of the roof deck, walls, or foundation of a building or defects or failures of copings or any part of the building structure.
- F. Moisture entering the roofing system through the walls, rooftop hardware, or equipment, copings or any part of the building structure.
- G. Damage to the Membrane resulting from lack of positive drainage.
- H. Repair of metalwork or flashing receptacles or other materials furnished by others and such damage as may result from the application or failure of these materials.
- I. Chemical attacks, exposure to any ionized radiation, or contamination from any hazardous substance or waste.
- J. Repairs performed or materials furnished by others besides those authorized by BITEC in correcting leaks in the Membrane
- K. Gutters

LIMITATIONS

BITEC shall not be responsible for any damages for or to any of the following:

- A. Leaks that result where Membrane has been installed over cold storage or freezer compartments.
- B. Improper maintenance or correction of conditions other than leaks.
- C. Real or personal property, the structure itself, or contents therein.

BITEC is not responsible for the removal, replacement, or repair of any rooftop equipment or systems or overburden. BITEC'S sole responsibility under this Warranty is for the costs associated with the refund or repair of the Membrane according to the schedule outlined above.

EXCEPT AS SET FORTH HEREIN, BITEC MAKES NO OTHER WARRANTIES AND HEREBY DISCLAIMS ANY EXPRESS, IMPLIED, OR STATUTORY WARRANTY, INCLUDING BUT NOT LIMITED TO WARRANTIES OF DESIGN, MERCHANTABILITY, OR FITNESS FOR A PARTICULAR PURPOSE OR ARISING FROM A COURSE OF DEALING OR USAGE OF TRADE.

Owner's Name: _____
Address of Building: _____
City: _____ State: _____ Zip: _____
Specification Number: _____ Completion Date: _____ Product(s) Used: _____
Approximate Square Footage: _____ Material Purchased From: _____
Principal Building Usage: _____
Name of Applicator: _____ Address: _____

OWNER RESPONSIBILITIES

BITEC is proud to have provided your building with the finest advanced technology waterproofing Membrane available and offers the following industry-accepted guidelines to protect your investment. BITEC recommends as the building Owner you implement the following:

- (1) Provide a roof inspection every six (6) months to remove any debris and ensure proper drainage by cleaning the scuppers and roof drains.
- (2) If your roof system was surfaced with a reflective coating, a periodic recoating will protect the Membrane and reduce energy cost.
- (3) Restrict roof traffic to a minimum, and inform necessary trades requiring access to the roof deck to be very careful to protect the Membrane from falling objects, or solvent spills.
- (4) Do not allow materials to be stored or transported over the completed roof deck areas.
- (5) In the event the roofing system has rooftop equipment or overburden obscuring the waterproofing membrane, such as paver system, vegetated roofing, solar, solar thermal system, or any other material installed over the roof system, temporary or permanent, the Owner will have it removed before inspection at Owner's sole expense.
- (6) As a reminder, all additions of equipment, deck penetrations or any change requiring cutting through the Membrane must have prior approval of BITEC and the work must be completed by a BITEC Authorized Roofing Contractor to maintain the validity of the Warranty.
- (7) A BITEC Authorized Roofing Contractor knows his products and is willing to serve you, with your maintenance programs.

To the fullest extent allowed by law, this Warranty shall be construed under the laws of the State of Arkansas and any actions or suits to enforce this Warranty shall be brought in the State of Arkansas, County of Conway. This Warranty constitutes the sole and exclusive Warranty of the parties hereto and supersedes any prior understandings, written or oral agreements, or warranties between the parties respecting the subject matter within.

If any one or more of the provisions contained in this Warranty shall, for any reason, be held to be invalid, illegal, or unenforceable in any respect, such invalidity, illegality, or unenforceability shall not affect any other provision, and this Warranty shall be construed as if the invalid, illegal, or unenforceable provision had never been contained herein.

WARRANTY ACCEPTANCE

Owner hereby accepts and agrees to the terms and conditions outlined in this Warranty.

MANUFACTURERS OF ADVANCED TECHNOLOGY WATERPROOFING MEMBRANES



WC - _____
WARRANTY NO.

FIFTEEN (15)-YEAR LABOR & MATERIAL COATING MATERIAL WARRANTY

BITEC, INC. ("BITEC") warrants to the below-named Owner that the BITEC Liquid Applied Roof Membrane identified by use on the opposite side hereof, at the time of installation, shall conform to the published specifications of BITEC subject to the terms of this Warranty.

BITEC warrants that the Liquid Applied Roof Membrane shall be free of manufacturing defects which affects the ability of the product to perform in a watertight manner for a period of Fifteen (15) years for the date of the original installation of the membrane.

If manufacturing defects should cause the Membrane to lose its watertight integrity during the 15 year Warranty period, BITEC, at its sole option, repair or replace such defective materials; excluding related costs associated with flashings, metal work, or materials not supplied or furnished by BITEC.

APPLICABILITY OF WARRANTY

BITEC'S obligation to refund to Owner a portion of the Membrane's original cost, or the replacement or repair of a portion of the Membrane, according to this Warranty, shall be the sole and exclusive remedy of Owner, and Owner shall not be entitled to additional remedies. Owner expressly waives all other claims for damages, direct or indirect, consequential or incidental, including but not limited to: property damage, personal injury, damage to Owner or third parties, and/or loss of business or profit. BITEC will issue this Warranty to the Owner upon complete installation of Membrane in compliance with BITEC specifications and Warranty terms and after receipt of full payment for installation and supplies. To validate this Warranty, all registration information requested must be completed and mailed to BITEC's general offices within thirty (30) days after installation is complete. Notification of any manufacturing defect must be submitted to BITEC's general offices within ten (10) days after discovery of any such defect. The issued certificate number must be referred to in all correspondence. This Warranty is transferable or assignable only with the prior written approval of BITEC's Manager of Technical Services, and payment of applicable transfer fee.

No representative, employee, agent of BITEC, or any other person has the authority to assume for BITEC, any additional or other liability or responsibility in connection with the Membrane described above unless the change and/or amendment is approved in writing by an authorized BITEC officer.

This Warranty excludes leaks caused by any of the following:

- A. Damage resulting from windstorms exceeding 55 MPH, hailstorms, hurricanes, tornados, gales, lightning, earthquakes, fire, explosions, food, chemical attack, solid objects falling on the Membrane, traffic or storage of materials on the Membrane, Acts of God, wear through misuse or abuse, damage physically inflicted through accidents or man-made causes, riots, vandalism or war.
- B. Defects in failure of or improper application, construction, or design of any roof installation, roof deck, roof insulation, or any other material used as the base over which the Membrane is applied.
- C. Movement or deterioration including but not limited to any expansion or contraction, of any sheet metal or other material used in conjunction with the Membrane.
- D. Any major changes in the principal usage or ownership of the building unless approved in advance, in writing, by BITEC.
- E. Damage to the Membrane caused by settlement, distortion, failure, or cracking of the roof deck, walls, or foundation of a building or defects or failures of copings or any part of the building structure.
- F. Moisture entering the roofing system through the walls, rooftop hardware, or equipment, copings or any part of the building structure.
- G. Damage to the Membrane resulting from lack of positive drainage.
- H. Repair of metalwork or flashing receptacles or other materials furnished by others and such damage as may result from the application or failure of these materials.
- I. Chemical attacks, exposure to any ionized radiation, or contamination from any hazardous substance or waste.
- J. Repairs performed or materials furnished by others besides those authorized by BITEC in correcting leaks in the Membrane
- K. Gutters

LIMITATIONS

BITEC shall not be responsible for any damages for or to any of the following:

- A. Leaks that result where Membrane has been installed over cold storage or freezer compartments.
- B. Improper maintenance or correction of conditions other than leaks.
- C. Real or personal property, the structure itself, or contents therein.

BITEC is not responsible for the removal, replacement, or repair of any rooftop equipment or systems or overburden. BITEC'S sole responsibility under this Warranty is for the costs associated with the refund or repair of the Membrane according to the schedule outlined above.

EXCEPT AS SET FORTH HEREIN, BITEC MAKES NO OTHER WARRANTIES AND HEREBY DISCLAIMS ANY EXPRESS, IMPLIED, OR STATUTORY WARRANTY, INCLUDING BUT NOT LIMITED TO WARRANTIES OF DESIGN, MERCHANTABILITY, OR FITNESS FOR A PARTICULAR PURPOSE OR ARISING FROM A COURSE OF DEALING OR USAGE OF TRADE.

Owner's Name: _____
Address of Building: _____
City: _____ State: _____ Zip: _____
Specification Number: _____ Completion Date: _____ Product(s) Used: _____
Approximate Square Footage: _____ Material Purchased From: _____
Principal Building Usage: _____
Name of Applicator: _____ Address: _____

OWNER RESPONSIBILITIES

BITEC is proud to have provided your building with the finest advanced technology waterproofing Membrane available and offers the following industry-accepted guidelines to protect your investment. BITEC recommends as the building Owner you implement the following:

- (1) Provide a roof inspection every six (6) months to remove any debris and ensure proper drainage by cleaning the scuppers and roof drains.
- (2) If your roof system was surfaced with a reflective coating, a periodic recoating will protect the Membrane and reduce energy cost.
- (3) Restrict roof traffic to a minimum, and inform necessary trades requiring access to the roof deck to be very careful to protect the Membrane from falling objects, or solvent spills.
- (4) Do not allow materials to be stored or transported over the completed roof deck areas.
- (5) In the event the roofing system has rooftop equipment or overburden obscuring the waterproofing membrane, such as paver system, vegetated roofing, solar, solar thermal system, or any other material installed over the roof system, temporary or permanent, the Owner will have it removed before inspection at Owner's sole expense.
- (6) As a reminder, all additions of equipment, deck penetrations or any change requiring cutting through the Membrane must have prior approval of BITEC and the work must be completed by a BITEC Authorized Roofing Contractor to maintain the validity of the Warranty.
- (7) A BITEC Authorized Roofing Contractor knows his products and is willing to serve you, with your maintenance programs.

To the fullest extent allowed by law, this Warranty shall be construed under the laws of the State of Arkansas and any actions or suits to enforce this Warranty shall be brought in the State of Arkansas, County of Conway. This Warranty constitutes the sole and exclusive Warranty of the parties hereto and supersedes any prior understandings, written or oral agreements, or warranties between the parties respecting the subject matter within.

If any one or more of the provisions contained in this Warranty shall, for any reason, be held to be invalid, illegal, or unenforceable in any respect, such invalidity, illegality, or unenforceability shall not affect any other provision, and this Warranty shall be construed as if the invalid, illegal, or unenforceable provision had never been contained herein.

WARRANTY ACCEPTANCE

Owner hereby accepts and agrees to the terms and conditions outlined in this Warranty.

MANUFACTURERS OF ADVANCED TECHNOLOGY WATERPROOFING MEMBRANES



MC -
WARRANTY NO.

TEN (10)-YEAR COATING MATERIAL WARRANTY

BITEC, INC. ("BITEC") warrants to the below-named Owner that the BITEC Liquid Applied Roof Membrane identified by use on the opposite side hereof, at the time of installation, shall conform to the published specifications of BITEC subject to the terms of this Warranty.

BITEC warrants that the Liquid Applied Roof Membrane shall be free of manufacturing defects which affects the ability of the product to perform in a watertight manner for a period of Ten (10) years for the date of the original installation of the membrane.

If manufacturing defects should cause the Membrane to lose its watertight integrity during the 10 year Warranty period, BITEC, at its sole option, repair or replace such defective materials; excluding any labor or related costs associated with flashings, metal work, or materials not supplied or furnished by BITEC.

APPLICABILITY OF WARRANTY

BITEC'S obligation to refund to Owner a portion of the Membrane's original cost, or the replacement or repair of a portion of the Membrane, according to this Warranty, shall be the sole and exclusive remedy of Owner, and Owner shall not be entitled to additional remedies. Owner expressly waives all other claims for damages, direct or indirect, consequential or incidental, including but not limited to: property damage, personal injury, damage to Owner or third parties, and/or loss of business or profit. BITEC will issue this Warranty to the Owner upon complete installation of Membrane in compliance with BITEC specifications and Warranty terms and after receipt of full payment for installation and supplies. To validate this Warranty, all registration information requested must be completed and mailed to BITEC's general offices within thirty (30) days after installation is complete. Notification of any manufacturing defect must be submitted to BITEC's general offices within ten (10) days after discovery of any such defect. The issued certificate number must be referred to in all correspondence. This Warranty is transferable or assignable only with the prior written approval of BITEC's Manager of Technical Services, and payment of applicable transfer fee.

No representative, employee, agent of BITEC, or any other person has the authority to assume for BITEC, any additional or other liability or responsibility in connection with the Membrane described above unless the change and/or amendment is approved in writing by an authorized BITEC officer.

This Warranty excludes leaks caused by any of the following:

- A. Damage resulting from windstorms exceeding 55 MPH, hailstorms, hurricanes, tornados, gales, lightning, earthquakes, fire, explosions, food, chemical attack, solid objects falling on the Membrane, traffic or storage of materials on the Membrane, Acts of God, wear through misuse or abuse, damage physically inflicted through accidents or man-made causes, riots, vandalism or war.
- B. Defects in failure of or improper application, construction, or design of any roof installation, roof deck, roof insulation, or any other material used as the base over which the Membrane is applied.
- C. Movement or deterioration including but not limited to any expansion or contraction, of any sheet metal or other material used in conjunction with the Membrane.
- D. Any major changes in the principal usage or ownership of the building unless approved in advance, in writing, by BITEC.
- E. Damage to the Membrane caused by settlement, distortion, failure, or cracking of the roof deck, walls, or foundation of a building or defects or failures of copings or any part of the building structure.
- F. Moisture entering the roofing system through the walls, rooftop hardware, or equipment, copings or any part of the building structure.
- G. Damage to the Membrane resulting from lack of positive drainage.
- H. Repair of metalwork or flashing receptacles or other materials furnished by others and such damage as may result from the application or failure of these materials.
- I. Chemical attacks, exposure to any ionized radiation, or contamination from any hazardous substance or waste.
- J. Repairs performed or materials furnished by others besides those authorized by BITEC in correcting leaks in the Membrane
- K. Gutters

LIMITATIONS

BITEC shall not be responsible for any damages for or to any of the following:

- A. Leaks that result where Membrane has been installed over cold storage or freezer compartments.
- B. Improper maintenance or correction of conditions other than leaks.
- C. Real or personal property, the structure itself, or contents therein.

BITEC is not responsible for the removal, replacement, or repair of any rooftop equipment or systems or overburden. BITEC'S sole responsibility under this Warranty is for the costs associated with the refund or repair of the Membrane according to the schedule outlined above.

EXCEPT AS SET FORTH HEREIN, BITEC MAKES NO OTHER WARRANTIES AND HEREBY DISCLAIMS ANY EXPRESS, IMPLIED, OR STATUTORY WARRANTY, INCLUDING BUT NOT LIMITED TO WARRANTIES OF DESIGN, MERCHANTABILITY, OR FITNESS FOR A PARTICULAR PURPOSE OR ARISING FROM A COURSE OF DEALING OR USAGE OF TRADE.

Owner's Name: _____
Address of Building: _____
City: _____ State: _____ Zip: _____
Specification Number: _____ Completion Date: _____ Product(s) Used: _____
Approximate Square Footage: _____ Material Purchased From: _____
Principal Building Usage: _____
Name of Applicator: _____ Address: _____

OWNER RESPONSIBILITIES

BITEC is proud to have provided your building with the finest advanced technology waterproofing Membrane available and offers the following industry-accepted guidelines to protect your investment. BITEC recommends as the building Owner you implement the following:

- (1) Provide a roof inspection every six (6) months to remove any debris and ensure proper drainage by cleaning the scuppers and roof drains.
- (2) If your roof system was surfaced with a reflective coating, a periodic recoating will protect the Membrane and reduce energy cost.
- (3) Restrict roof traffic to a minimum, and inform necessary trades requiring access to the roof deck to be very careful to protect the Membrane from falling objects, or solvent spills.
- (4) Do not allow materials to be stored or transported over the completed roof deck areas.
- (5) In the event the roofing system has rooftop equipment or overburden obscuring the waterproofing membrane, such as paver system, vegetated roofing, solar, solar thermal system, or any other material installed over the roof system, temporary or permanent, the Owner will have it removed before inspection at Owner's sole expense.
- (6) As a reminder, all additions of equipment, deck penetrations or any change requiring cutting through the Membrane must have prior approval of BITEC and the work must be completed by a BITEC Authorized Roofing Contractor to maintain the validity of the Warranty.
- (7) A BITEC Authorized Roofing Contractor knows his products and is willing to serve you, with your maintenance programs.

To the fullest extent allowed by law, this Warranty shall be construed under the laws of the State of Arkansas and any actions or suits to enforce this Warranty shall be brought in the State of Arkansas, County of Conway. This Warranty constitutes the sole and exclusive Warranty of the parties hereto and supersedes any prior understandings, written or oral agreements, or warranties between the parties respecting the subject matter within.

If any one or more of the provisions contained in this Warranty shall, for any reason, be held to be invalid, illegal, or unenforceable in any respect, such invalidity, illegality, or unenforceability shall not affect any other provision, and this Warranty shall be construed as if the invalid, illegal, or unenforceable provision had never been contained herein.

WARRANTY ACCEPTANCE

Owner hereby accepts and agrees to the terms and conditions outlined in this Warranty.

MANUFACTURERS OF ADVANCED TECHNOLOGY WATERPROOFING MEMBRANES



Coating System – Pre-Inspection Warranty Form
(PROJECT PHOTOS ARE REQUIRED WITH EACH APPLICATION)

A pre-notification form must be completed prior to job start to receive consideration for a warranty. Upon completion of the project, a job completion form must be submitted.

Name of Building: Telephone:

Current use of building:

Address of building:

Owner: Telephone:

Owner's Address:

Applicator: Telephone:

Applicator's address:

Type of Warranty:

This Project is for:

Restoration New Construction Number of Existing Roofs

Type of Roof:

Metal Roof Foam & Coatings Single-Ply Roof

Asphalt Roof Coatings over Foam Coatings over Concrete

Building Structure:

Steel Concrete Wood

Other:

Size of Project:

Square Feet: Building Age: Building Height:

Fire Rating:

No Yes Type:



Roof Shape:

Flat Dome Arch Gable Gambrel

Other (explain): _____ Slope: _____

Roof Surface:

BUR (smooth or gravel) Modified Bitumen (smooth, mineral)

Yearly Temperature Range for Building Site:

Min. _____ °F Max. _____ °F (NWS data is acceptable.)

Exterior Foundation:

Good Cracked Settling Other: _____

Any Evidence of Movement From:

Bearing Wall Columns Floors Other: _____

No cracking or movement

If movement or cracking is present, explain:

Interior Humidity/Temperature: Yes No Min. ____ °F Max. ____ °F

Leaks: None Leaks every time it rains Leaks with continuous rain

Leaks with strong wind and rain

Condensation: Yes No

Moisture Condition of Exiting Roof System: Dry _____ % Wet _____ %

Moisture Detection Method: Core samples or IR thermography Other _____

(Attach a complete copy of any moisture survey taken prior to starting the project. Neglecting to detect any moisture in the roof system and failure to remove wet insulation will void this warranty.)

Vapor Barrier Present: Yes No Condition _____

Insulation: Fiberglass Perlite Fiberboard Polystyrene Board

Isocyanurate board Attachment Method: _____ R-Value: _____

Interior Drains: Yes No Number _____



Exterior Drains and Scuppers: Yes No Number _____

Condition of Drains: Good Clogged Damaged/Deteriorated
Relocation to lower area as required

Is Ponding Water Preset? Yes No Number of Ponds _____

Ponding Water:

Size of Ponds _____ ft²

Depth _____ inches

Parapet Walls: Yes No Height _____ Repairs? Explain _____

Skylights: Yes No Number of Skylights _____ Repairs? Explain _____

Parapet Cap Flashings: Yes No Number of Skylights _____ Repairs? Explain _____

Curbs: Yes No Number of Curbs _____ Repairs? Explain _____

Exp. Joints: Yes No Number of Joints _____ Repairs? Explain _____

Exp. Covers: Yes No Number of Covers _____ Repairs? Explain _____

Estimate of Project Start Date: _____

Estimate of Project Completion Date: _____

Will all materials used on this project be supplied by BITEC, INC. Yes No

If No, explain _____

Type of Warranty Requested: _____ Years: _____

Please attach any relevant supporting documents and return completed Pre-Inspection Form to: BITEC, INC. – ATTENTION: WARRANTY DEPARTMENT. To be warrantable, all roof installations must be made in complete compliance with BITEC Application/Installation Guidelines. I certify that this project will be installed according to BITEC Application/Installation Guidelines.

Applicator Signature

Date



LIQUID APPLIED ROOF AND ROOF PRESERVATION SYSTEMS

P.O. Box 497, No. 2 Industrial Park Dr. Morrilton, AR 72110
Phone: 1-800-535-8597 Fax: 501-354-3019
www.bi-tec.com

MID-TERM INSPECTION REPORT

(Required for all projects prior to shipment of Materials. Warrantied jobs only available to Authorized BITEC Applicator)

DATE: PROJECT ID:

PROJECT ADDRESS:

PROJECT CONTACT: PHONE: TITLE:

APPLICATOR/CONTRACTOR: PHONE:

PROJECT SIZE: SQ. FT. RIB FACTOR: % (METAL ONLY)

ROOF TYPE: PERSON(S) PRESENT AT INSPECTION:

COMPLETION % AT INSPECTION

PREP: % SEAMS/FASTENERS: % 1ST COAT: % FINAL COAT: %

OBSERVATIONS AND COMMENTS

POSITIVE DRAINAGE: # OF PROTRUSIONS: # OF INTERIOR GUTTERS:

#HVAC UNITS: # OF SKYLIGHTS:

PONDING AREAS:

WAS POLYESTER FABRIC USED? YES NO WHERE:

WAS ROOF POWER WASHED? YES NO TURBO TIP USED:

COMMENTS - USE PUNCH LIST FOR OTHER ITEMS.

MILL THICKNESS READING

FIELD COATING MILS AVG. # OF READINGS

SEAM & FASTENER MILLS AVG. # OF READINGS

FIELD TESTING (how was it completed)

(Mid-term for 10 year system should read 10 mills for the field and 23 mills for seams.)

WARRANTY:

MATERIAL ONLY YEARS

LABOR & MATERIAL YEARS

PRO-RATED YEARS



Complete the information below with the exact amounts of gallons used.

PRODUCT USED	GALLONS

_____ found the application: DID / DID NOT meet the BITEC'S coating specifications.

INSPECTOR'S SIGNATURE _____

DATE: _____

TITLE: _____

You may elect to sign the document electronically or by pen. BITEC considers both methods legally binding.



Warranty Project Completion Form

To obtain a warranty on a job, this form must be completed and submitted to Bitec's warranty department. An inspection will be scheduled upon receipt of form. Once all requirements are met and approved, a warranty will be processed and mailed to the applicator.

Name of Building: _____

Address of Project: _____

City: _____ State: _____ ZIP: _____

Applicator: _____ Phone: _____

Distributor: _____ Phone: _____

Distributor Invoice #: _____ **(You must attach a copy of the invoice)**

Project Start Date: _____ Project Completion Date: _____

A Pre-Inspection Warranty Form with photos is required and must be received by BITEC, INC., prior to issuance of any warranties.

We agree, as the Applicator, for a period of two (2) years from the warranty effective date to:

1. Investigate all reported leaks and make repairs at our own expense if the leaks are due to any deviation from specifications during BITEC's System Installation.
2. Request authority from BITEC INC., to make repairs at BITEC's expense if the leaks are due to faulty BITEC product.

Please find this submittal as confirmation that the above job has been completed according to the guidelines of the project. To be warrantable, all roof installations must be made in complete compliance with BITEC's written sample design guidelines. I certify that this project was installed according BITEC's written sample design guidelines. The undersigned understands and agrees that issuance of the warranty applied for is subject to receipt, review and approval of all required documents, inspection reports, materials and fees by BITEC's warranty department.

Date: _____

Authorized Signature

OVERVIEW

MAC-200™ is a non-fibered, asphalt-based, aluminum roof coating that can reduce roof temperatures 15 degrees or more, helping to lower energy costs. When installed according to specifications and installation guidelines, MAC-200 provides an exceptionally bright finish with excellent coverage and UV protection.

Product advantages:

- Preserves and beautifies while providing a reflective shield over old and new roofs, as well as metal roofs.
- Meets or exceeds ASTM D2824, Type I product standard specifications.
- Aluminum roof coating that can reduce roof temperatures 15 degrees or more, helping to lower energy costs.

Additional product advantages include:

- Reduces under roof temperatures by 15 degrees or more, resulting in reduced workload on building's air conditioning system and lower energy costs
- UV rays are reflected by the coating's aluminum surface, reducing deterioration of the roof membrane
- Two coats of MAC-200 form a long lasting and sustainable shield that protects and preserves the roof system below
- One gallon of MAC-200 coats the same area as three to four gallons of standard non-fibered aluminum roof coating; apply second coat perpendicular to the first

APPLICATION

For APP smooth membranes; asphalt emulsion; bitumen mastic and adhesives, allow 30-45 days cure time before applying coating.

Allow 90 days cure time before applying coating over cold adhesive applied bituminous roof systems.

PRECAUTIONS

- Do not apply coating when outside temperatures are below 50°F (10°C)
- Do not apply if rain, dew or temperatures below 50°F (10°C) are forecasted 24 hours prior to scheduled application
- Do not overwork product during application; this may lead to an undesirable darkening or bronzing of the coating
- Material should be mixed prior to application; mix until the coating appears consistent
- It is highly recommended this product be installed by a knowledgeable and experienced roofing contractor

Technical Schedule	MAC-200
Non-Volatile (ASTM D2824)	45% min.
Density @ 77°F (25°C) (ASTM D1475)	8.51 lbs./gal. (1.02 g/cm ³)
Typical Drying Time @ 50% RH, 77°F (25°C)	Overnight
Flash Point (ASTM D-93)	103°F (39°C) min
Service Temperature Extended Exposure	-20°F to 230°F (-29°C to 110°C)
Resistance To Sunlight	Excellent
Effects of Weathering	Slow erosion
Wet Film Thickness @ 1 Gal (3.8 L)	16 mils (406.4 microns)
VOC	480 g/l
Reflectance	.74 (initial) .65 (3-year aged)
Emittance	.33 (initial) .33 (3-year aged/
SRI	.77 (initial) .60 (3-year aged)
Coverage Smooth or Mineral	0.5-.75 gal/100 sq. ft. per coat (.20-.30 l/m ² per coat)
Metal	20-.25 gal/100 sq. ft. per coat (.08-.10 l/m ² per coat)
Packaging	5 gallon pail (18.9 l)



Roofing Systems Component for the Material Characteristics in Accordance with ASTM D 4586-0045P1



BiTec

P.O. Box 497

No. 2 Industrial Park Drive, Morrilton, Arkansas 72110

Phone 1-800-535-8597

Fax (501) 354-3019

www.bi-tec.com

121521

OVERVIEW

MAC-300™ is a premium quality, high solids content, fibered asphalt-based aluminum roof coating that reduces roof degradation and increases the useful life of the roof. When installed according to specifications and installation guidelines, MAC-300 provides a bright finish with excellent coverage and UV protection.

Product advantages:

- Formulated using select oils, asphalt and resins.
- Preserves and beautifies while providing a reflective shield over old and new roofs.
- Meets or exceeds astm d 2824, type iii product standard specifications.
- Reflective roof coating that reduces roof degradation and increases the useful life of the roof.

Additional product advantages include:

- UV rays are reflected by the coating's aluminum surface, reducing deterioration of the roof membrane
- Only the highest quality aluminum flake and more per gallon is used in MAC-300 as compared to competitive brands, providing unequalled reflectivity that lasts for years
- Two coats form a long lasting and sustainable shield that protects and preserves the roof system below.
- One gallon of MAC-300 coats the same area as three to four gallons of standard fibered aluminum roof coating; apply second coat perpendicular to the first

APPLICATION

Before application of coating, ensure all surfaces receiving the coating are dry and free of oil, dust and debris. Roof surfaces that are old and dry shall be prepared using an asphalt primer applied at a rate of one gallon per roof square (1gal/100ft.²). Repair any splits, cracks or surface irregularities with PMA-2000™ and fiberglass mesh, where applicable. It is highly recommended this product be installed by a knowledgeable and experienced roofing contractor. For APP smooth membranes; asphalt emulsion; bitumen mastic and adhesives, allow 30-45 days cure time before applying coating. Allow 90 days cure time before applying coating over cold adhesive applied bituminous roof systems.

PRECAUTIONS

- Do not apply coating when outside temperatures are below 50°F (10°C)
- Do not apply if rain, dew or temperatures below 50°F (10°C) are forecasted 24 hours prior to scheduled application
- Do not overwork product during application; this may lead to an undesirable darkening or bronzing of the coating
- Material should be mixed prior to application; mix until the coating appears consistent

Technical Schedule	MAC-300
Non-Volatile (ASTM D2824)	60% min.
Density @ 77°F (25°C) (ASTM D1475)	8.7 lbs./gal. (1.02 g/cm ³)
Typical Drying Time @ 50% RH, 77°F (25°C)	Overnight
Flash Point (ASTM D-93)	103°F (39°C) min
Service Temperature Extended Exposure	-20°F to 180°F (-29°C to 82°C)
Resistance To Sunlight	Excellent
Effects Of Weathering	Slow erosion
Wet Film Thickness @ 1 Gal (3.8 L)	32 mils (812.8 microns)
VOC	480 g/l
Reflectance	.61 (initial) .55 (3-year aged)
Emittance	.44 (initial) .44 (3-year aged/
SRI	.77 (initial) .60 (3-year aged)
Coverage Smooth or Mineral	0.5-.75 gal/100 sq. ft. per coat) (.20-.30 l/m ² per coat)
Metal	20-.25 gal/100 sq. ft. per coat (.08-.10 l/m ² per coat)
Packaging	5 gallon pail (18.9 l)



Roofing Systems Component for the Material Characteristics in Accordance with ASTM D 4586-0045P1



BiTec
P.O. Box 497
No. 2 Industrial Park Drive, Morrilton, Arkansas 72110
Phone 1-800-535-8597
Fax (501) 354-3019
www.bi-tec.com

121521

Product Description

ElastoPav is a professional grade liquid flashing for sealing roof penetrations, metal roof seams, gutters and other building envelope applications. **ElastoPav** is a one-part formulation with semi-self-leveling properties for both horizontal and vertical application. **ElastoPav** is based on moisture cure hybrid polymer technology that reacts and cross-links in the presence of moisture to provide a durable seal with excellent weathering and UV resistance and performs in temperatures from -40° F to 200° F.

Product Information: Features

- 100% solids - no shrinkage
- Low dirt pickup
- Safe to Use - Solvent & Isocyanate Free
- Ultra-low VOC's, 17.94 g/L
- May contribute to LEED V4 EQ Material Resource Credit 4.1 -Adhesives and Sealants
- Bonds to most common building substrates
- Remains flexible to absorb expansion and contraction

Substrate Compatibility

- Aluminum
- Coated Metal
- Glass
- Wood
- EPS Foam
- SBS Modified Bitumen
- EPDM
- Fiberglass
- Stainless Steel
- Cold Rolled Steel
- Concrete
- Ceramics
- Primed TPO
- Many plastics

Standards & Compliance

- May contribute to LEED V4 EQ Material Resource Credit 4.1 - Adhesives and Sealants
- Federal Specification TT-S-00230-C Type I, Class B
- Corps of Engineers CRD-C-541, Type I, Class B
- Conforms to OTC Rule for Sealants and Caulks
- Meets requirements of California Regs: CARB, BAAQMD and SCAQMD

Ease of Installation

- Single component high solids formula
- Easy to apply between 40° F and 100° F
- Cures rapidly to reach optimum strength within 7 - 14 days
- **ElastoPav** can be installed on damp surfaces

High Performance

- Does not dry or become brittle
- Water resistant
- Permanent elastomeric bond

Typical Properties

Please contact your BITEC Sales Representative before writing specifications around this product. Product properties are as follows:

Property	Typical Value	Units	Test Method
VOC's	17.94	g/L	ASTM C1250
Skinover time @ 50% R.H. 70 deg F	20	Min.	ASTM C679
Density	13.61	#/gal	
Hardness	54	Shore A	ASTM D676
Peel Strength			
ABS	11		
Acrylic	7.6		
Aluminum	10	lb / linear in	ASTM D903
Mortar	5.6		
Glass	7.7		
Pine	5.4		
PVC	9.7		
Tensile	179	psi	ASTM D412-06
Elongation at Break	105	%	ASTM D412-06
Chemistry	Polyether		
Shrinkage	0%		
Service Temperature	-40° F to 200° F		
Viscosity	235,000 165,000 87,500	cps @ 1 RPM cps @ 2 RPM cps @ 10 RPM	ASTM D2196-10

ElastoPav typical values represent data from multiple batches. Values will be refreshed, as necessary, upon data collection from additional campaigns and long-term variability discernment.

ElastoPav

Application

Remove all dirt, oil, loose paint, frost and other contamination from all working surfaces. Maintain **ElastoPav** at room temperature before applying to ensure easy gunning and tooling. Test and evaluate to ensure adequate adhesion.

Concrete

Prior to application remove any residual contamination by mechanical abrasion, sand blast-ing or power washing. On green concrete, remove all release agents and loose concrete. Dry all visible and/or standing water. Install an appropriate backer rod to avoid three-point bonding.

Metal

Prepare all metal to ensure maximum adhesion. Remove all rust, scale and residue using a wire brush. Remove films, loose or inappropriate coatings and oils with an appropriate solvent such as alcohol.

*BITEC recommends that coated substrates be tested for proper adhesion prior to starting a project to determine suitability for use.

Wood

Wood should be clean, sound and dry prior to sealant application. Allow treated wood to weather for six months prior to application. Remove all coatings and paint to ensure proper adhesion. ElastoPav is not recommended for use on fire retardant lumber.

Priming

In most applications **ElastoPav** will not require a primer. However, certain substrates may require a primer to ensure a long lasting bond and weatherproof seal. It is the applicator's responsibility to determine whether or not a primer is needed in their specific application.

Clean-up

Clean tools with mild solvent such as mineral spirits.

Material Storage/Disposal

Store securely between 60° F - 80° F in unopened container. Recommended shelf life is 12 months from date of manufacture on bottom of tube. Keep tube tightly sealed. Dispose of contents/ container in accordance with Local/Regional/National/International Regulations. Refer to Safety Data Sheet (SDS) for further information.

Shelf Life and Storage

The shelf life is 12 months for an unopened container from the date of manufacture. Reference the date of manufacture. YYMMDD ex. 190522 is May 22, 2019.

Color



WHITE



BLACK



GREY

Packaging

2 liter pouches - 4 pouches/case, 40 cases/pallet

Warranty

BITEC warrants that our products are manufactured to strict quality assurance specifications. For warranty information visit: www.bi-tec.com

Precautionary Statements

Do not use until all instructions and safety precautions have been read and understood. Wear protective gloves, protective clothing and eye protection. Wash contaminated clothing before reuse. Contaminated work clothing should not be allowed out of the workplace.
IF ON SKIN: Wash exposed body areas with soap and water.
IF IN EYES: Rinse with water, remove contact lenses and continue rinsing. If exposed or concerned get medical advise/attention. Refer to Safety Data Sheet (SDS) for further information.

WHEN QUALITY MATTERS™

Product Description

Elastopav All-Purpose Roofing Sealant is a high performance joint sealant for a wide range of construction applications. **Elastopav All-Purpose Roofing Sealant** delivers tough, elastic sealing performance, for joints requiring compression and extension greater than 35%.

Product Information: Features & Benefits

- Solvent and isocyanate free, 100% solids
- Non-silicone
- Non-flammable
- Fast-curing
- Primerless bonding to most surfaces
- Paint compatible
- Low odor
- Extremely low shrinkage
- Non-staining
- Mildew resistant

Standards & Compliance

- May contribute to LEED V4 EQ Material Resource Credit 4.1 Adhesives and Sealants ASTM C920, Type S, Grade NS, Class 35
- Uses NT, T, G, A & O
- Federal Specification TT-S-00230-C Type II, Class B
- Corps of Engineers CRD-C-541, Type II, Class B
- Conforms to OTC Rule for Sealants and Caulks
- Meets requirements of California Regs: CARB, BAAQMD and SCAQMD
- Conforms to USDA Requirements for Non-food Contact

Common Applications

- Roofing
- Parapets
- Window and door frames
- Block and Masonry
- Expansion Joints
- Siding
- Weather Sealing
- Cove Joints

High Performance Durability

- **Elastopav All-Purpose Roofing Sealant** can be installed on damp surfaces which is defined as when no moisture is transferred to the skin when the substrate is touched
- The cured bead exhibits excellent long-term adhesion to the porous surfaces
- Does not dry or become brittle
- Low odor, ideal for indoor and outdoor use

Typical Properties

Please contact your BITEC Sales Representative before writing specifications around this product. Product properties are as follows:

Property	Typical Value	Units	Test Method
VOC's	22.64 g/L		EPA Test Method 24
Skinover time @ 50% R.H. 70 deg F	25	Min.	ASTM C679
Density	12.44	#/gal	
Hardness	35	Shore A	
Shear Strength	116.2	psi	ASTM D1002
Peel Strength			
ABS Plastic	22.4		
Aluminum	28.4		
Mortar	21.6		
Glass	22.4	lbf/in.	ASTM D903
Pine	22.9		
PVC	25.1		
Cold Rolled Steel	20.09		
Tensile	200	psi	ASTM D412
Elongation at Break	542	%	ASTM D412
Chemistry	Hybrid Polymer		
Movement	+/- 35%		ASTM C920
Shrinkage	0%		
Service Temperature	-40°F - 200°F		
Viscosity	2,000,000 1,400,000 400,000	cps @ 1 rpm cps @ 2 rpm cps @ 10 rpm	ASTM D2196-10

Elastopav All-Purpose Roofing Sealant typical values represent data from multiple batches. Values will be refreshed, as necessary, upon data collection from additional campaigns and long-term variability discernment.

Elastopav All-Purpose Roofing Sealant

Application

Remove all dirt, oil, loose paint, frost and other contamination from all working surfaces. Maintain **Elastopav All-Purpose Roofing Sealant** at room temperature before applying to ensure easy gunning and tooling. Test and evaluate to ensure adequate adhesion. Carefully gun the sealant with a smooth, continuous bead. If tooling is needed, do so within fifteen minutes of application.

Concrete

Prior to application remove any residual contamination by mechanical abrasion, sand blasting or power washing. On green concrete, remove all release agents and loose concrete. Dry all visible and/or standing water. Install an appropriate backer rod to avoid three-point bonding.

Metal

Prepare all metal to ensure maximum adhesion. Remove all rust, scale and residue using a wire brush. Remove films, loose or inappropriate coatings and oils with an appropriate solvent such as alcohol.

*BITEC recommends that coated substrates be tested for proper adhesion prior to starting a project to determine suitability for use.

Wood

Wood should be clean, sound and dry prior to sealant application. Allow treated wood to weather for six months prior to application. Remove all coatings and paint to ensure proper adhesion. **Elastopav All-Purpose Roofing Sealant** is not recommended for use on fire retardant.

Priming

In most applications **Elastopav All-Purpose Roofing Sealant** will not require a primer. However, certain substrates may require a primer to ensure a long lasting bond and weatherproof seal. It is the applicator's responsibility to determine whether or not a primer is needed in their specific application.

Clean-up

Clean tools and any uncured adhesive with mild solvent such as mineral spirits.

Material Storage/Disposal

Store securely between 60° F - 80° F in unopened container. Recommended shelf life is 12 months from date of manufacture on bottom of tube. Keep tube tightly sealed. Dispose of contents/container in accordance with Local/Regional/National/International Regulations. Refer to Safety Data Sheet (SDS) for further information.

Shelf Life and Storage

The shelf life is 12 months for an unopened container from the date of manufacture. Reference the date of manufacture. YYMMDD ex. 190522 is May 22, 2019.

Colors



Packaging

- 10.1 oz. cartridges - 24 tubes/case, 45 cases/pallet

Warranty

BITEC warrants that our products are manufactured and conform to strict quality assurance specifications. For warranty information visit: www.bi-tec.com

Limitations

Elastopav All-Purpose Roofing Sealant should not be used in applications in which it will be permanently exposed to liquid water.

Precautionary Statements

Do not use until all instructions and safety precautions have been read and understood. Wear protective gloves, protective clothing and eye protection. Wash contaminated clothing before reuse. Contaminated work clothing should not be allowed out of the workplace. IF ON SKIN: Wash exposed body areas with soap and water. IF IN EYES: Rinse with water, remove contact lenses and continue rinsing. If exposed or concerned get medical advice/attention. Refer to Safety Data Sheet (SDS) for further information.

WHEN QUALITY MATTERS™

OVERVIEW

PMA-2000™ is a cold-applied, trowel-grade mastic with excellent low temperature flexibility designed for use as a patching and leak repair material on asphalt roofing systems. Its high solids content, asphalt, additional fiber reinforcement and plasticizing oils improve low temperature performance. PMA-2000 is designed for new flashing installation as well as repair of and patching against leaks in asphalt-based roofing systems. Plasticizing oils and specially selected resins provide unusual low temperature flexibility and ductility.

PMA-2000 may be cold applied or trowel graded for use as a patching or leak repair material.

Additional product advantages include:

- PMA-2000 is factory formulated under rigid quality control conditions to ensure uniform product quality and to eliminate the variables inherent on job site preparation of roof materials where quality control depends entirely on the individual roofer's expertise
- PMA-2000 is a multipurpose material ideal for rebuilding or maintaining flashings, sealing metal roof or gutter leaks and repairing holes, splits or blisters in the roof surface; outlasts and outperforms conventional roof cement
- Long strand fibers provide an inherent reinforcement helping to eliminate run or sag in vertical surface applications. PMA-2000 should be used in conjunction with fiberglass mesh for roof repair and certain flashing applications.
- PMA-2000 is asbestos free

APPLICATION

PMA-2000 is ready to use, as is, from the container. It will not settle or form a layer of oil. In cold weather, store at room temperature to ensure proper workability. PMA-2000 should only be applied to clean dry surfaces. Trowel a base coat of PMA-2000 over the area to be repaired. Embed a strip of fiberglass mesh into the base coat and top dress with PMA-2000. The top coat should be sufficiently thick so the weave in the membrane is completely covered (1 gal per 7 lineal ft.; at 8" wide x 1/4" deep). All safety and good roofing practices should be followed while applying this product. PMA-2000 should be installed by a professional roofing contractor having previous experience in the application methods described.

Technical Schedule	PMA-2000
Non-Volatile (ASTM D-4586)	70% min.
Density (25° C) (ASTMD1475)	8.3 lbs./gal. (1.03 g/cm ³)
Flash Point (ASTM D-93)	103°F (40°C) min.
Water Resistance Under Good Drainage Conditions	Excellent
Coverage	2-3 gal/sq. (0.41-0.61 l/m ²) 7lin. ft./gal. covers 8 in. wide (.27 m/l covers 20 cm wide)
Packaging	3 gal pail (11.4 l) 5 gal (18.9 l)
Product meets and/or exceeds	ASTM D 4586, Type II, Class I

All Information is given in good faith, but normal tolerances of manufacture and testing will apply. Bitec reserves the right to improve and change its products at any time without prior notice or advice. The use of Bitec products is determined by local conditions and individual requirements of each contract. In consideration of the many factors involved, Bitec cannot be held responsible for the application of its products and for conditions beyond its control. All claims filed against Bitec warranties will be subject to the provisions set forth at the date of warranty issuance, and any addendum thereto. Under no circumstances will Bitec be held liable for any damage, whether personal injury or property damage, which occur during or after the application of the membrane.



BiTec

P.O. Box 497

No. 2 Industrial Park Drive, Morrilton, Arkansas 72110

Phone 1-800-535-8597

Fax (501) 354-3019

www.bi-tec.com

121721

OVERVIEW

PMA-186™ is a cold-process modified bitumen adhesive, is used in the installation of SBS modified bitumen cap sheets, base sheets and flashings. It provides superior sag resistance and excellent weathering characteristics PMA-186 is composed of high-quality asphalt and highly compatible SEBS (styrene-ethylene-butadiene-styrene) and SIS (styrene-isoprene-styrene) polymers imparting excellent adhesive and waterproofing properties to the overall roof membrane system. PMA-186, a cold process adhesive contains a unique blend of special fibers resulting in superior sag resistance and excellent weathering characteristics.

Additional product advantages include:

- The combination of SEBS and SIS polymers allows the adhesive to perform better at low temperatures and when exposed to the sun's UV light.
- Can be installed on slopes up to 3:12
- Since the adhesive is cold process, there is no need for torches or kettles on the job; helps ensure a more organized set up and fewer odors
- Asbestos free

APPLICATION

PMA-186 is ideal for roofing applications involving cold process membrane application. PMA-186 can be applied by spray, brush or notched squeegee. Apply at a rate of 2.0—2.5 gal/100ft². All safety and good roofing practices should be followed while applying this product. PMA-186 should be installed by a professional; roofing contractor having previous experience in the application methods described.

Cold-process roofs should have a minimum slope of 1/4" per ft. to prevent standing water and should not be installed at temperatures below 50°F or when rain is expected within 48 hours.

Note: Do not use this product on coal tar pitch roof. Dispose of unused portions and empty containers in accordance to local regulations.

Technical Schedule	PMA-186
Non-Volatile (ASTM D-4586)	70% min.
Density (25° C) (ASTMD1475)	8.6 lbs./gal. (1.03 g/cm ³)
Viscosity Brookfield RVT; Spindle #6; 2.5 RPM	160,000-200,000 cP
Flash Point (ASTM D-93)	min 100 ° F
Water Resistance Under Good Drainage Conditions	Excellent
Coverage	2-2.5 gal/sq. (11.4 l)
Packaging	5 gal/ (18.9 l)

All Information is given in good faith, but normal tolerances of manufacture and testing will apply. Bitec reserves the right to improve and change its products at any time without prior notice or advice. The use of Bitec products is determined by local conditions and individual requirements of each contract. In consideration of the many factors involved, Bitec cannot be held responsible for the application of its products and for conditions beyond its control. All claims filed against Bitec warranties will be subject to the provisions set forth at the date of warranty issuance, and any addendum thereto. Under no circumstances will Bitec be held liable for any damage, whether personal injury or property damage, which occur during or after the application of the membrane.



BiTec
P.O. Box 497
No. 2 Industrial Park Drive, Morrilton, Arkansas 72110
Phone 1-800-535-8597
Fax (501) 354-3019
www.bi-tec.com

121721

Easy-to-use flashing compound for walls, pitch pans, pipe penetrations or any areas that are difficult to seal

OVERVIEW

Compaflash flashing tubes are an easy-to-use solid tube of either APP or SBS modified bitumen compound; the same compound used in Bitec cap and base sheets. The design allows you to heat and trowel additional modified bitumen compound in areas that are difficult to seal. This can be at flashing details, pitch pans and areas of repair.

Compaflash APP and SBS tubes can be used with glass fabric and glass reinforced roofing membranes to make small repairs. It is not intended for use as a permanent remedy in this application or as a substitute for reinforced modified bitumen membrane.

Additional product advantages include:

- Very easy to use
- Applies quickly
- Speeds repair process
- Can be used on BUR, APP and SBS modified bitumen roofs

APPLICATION

Simply peel the silicon release paper tube casing from the solid compound, heat and trowel in for additional modified compound at flashing details. When filling pitch pans, remove the silicon paper tube casing, melt sufficient quantity in a suitable metal container and pour into the pitch pan.

SAFETY

Safety Procedures

During application of Compaflash, it is essential that all safety procedures be followed. The use of a roofer's torch indicates a need to follow standard safety practices. Also, consideration should be given to molten asphalt. Molten asphalt and molten modified bitumen compounds can cause severe burns. For personal and property protection, make sure the area being covered has a suitable base or has been sealed properly to prevent seepage or spillage.

Clothing

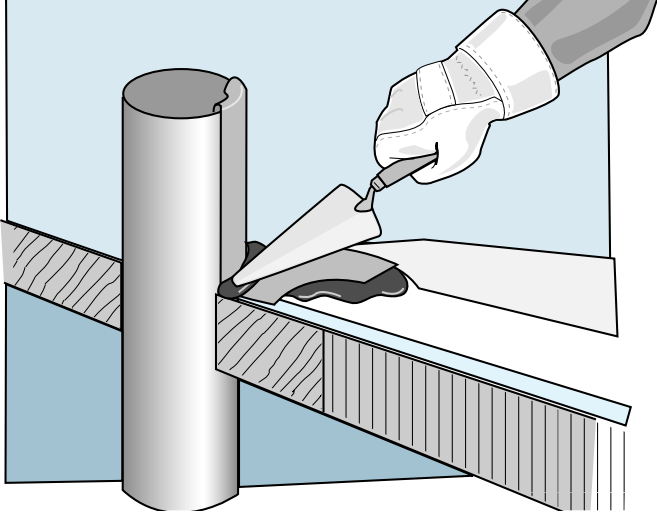
Long-sleeve shirt, long pants, durable work shoes, non-combustible work gloves and safety glasses should be worn at all times when using this product.

Fire Prevention

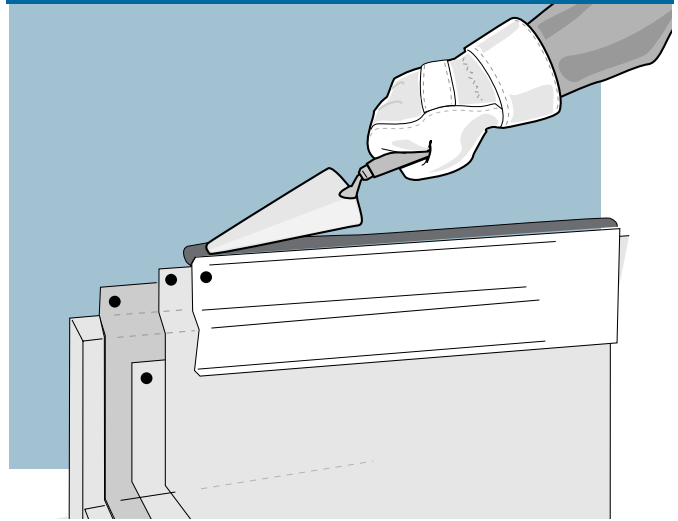
The roofing contractor must be aware of all local fire codes, and instruct personnel on the proper use of propane fired roofing equipment and the proper methods of installing Compaflash. Never use this product without taking the necessary precautions to prevent fire. A UL listed G2 fiberglass base sheet must be installed over all surfaces to receive the modified bitumen membrane. All cant strips must be of a non-combustible variety and be covered by a fiberglass reinforced UL listed G2 base sheet. Under no circumstance direct the torch flame into roof openings of any type. These precautions include, but are not limited to:

- At least one ABC dry fire extinguisher shall be on the roof for each torch in use
- Never set the fire extinguisher next to a torch or propane bottle; if the torch or propane bottle catches fire, you may not be able to access the extinguisher
- Never leave an ignited torch unattended
- Always keep in mind that molten asphalt will burn; wear the necessary clothing and personal protective equipment at all times
- Train all personnel in the proper use of fire protection equipment
- Take the necessary precautions when working around combustibles and roof openings
- Be aware of all local fire codes and obtain the necessary permits before project commencement
- Comply with all codes and applicable fire regulations and regulations governing the storage and use of propane

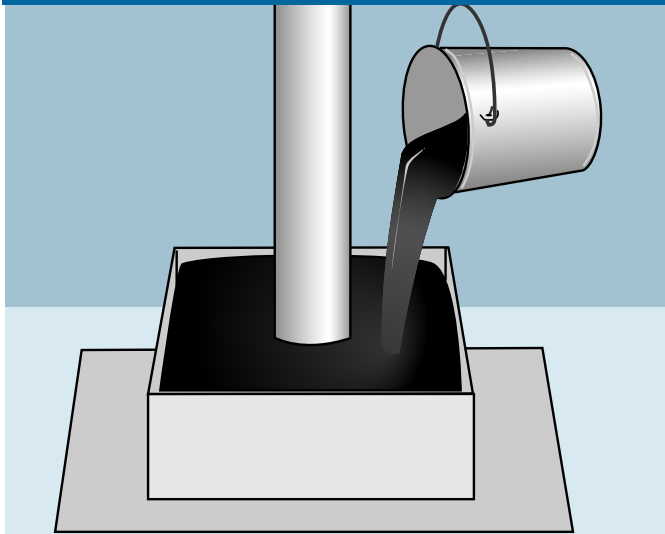
For Pipe Penetrations



For Wall Flashings



For Pitch Pans



Member of:



OVERVIEW

IM-Prime™ is a polymer emulsion-based primer designed to improve the adhesion of self-adhered membranes. IM-Prime is applied to cinder block, concrete, OSB, plywood, DensGlass Gold®, Securock, DensDeck® Prime and prepared metal surfaces.

Improved Adhesion - IM-Prime increases the adhesion of all self-adhering membranes and, in some cases, even increases the adhesion by as much as four times the original adhesion without primer.

Reduces Total Job Time - IM-Prime is formulated to dry tack-free within 2 hours at 77°F (25°C).

Environmentally Friendly - IM-Prime eliminates the flammability and toxicity hazards associated with solvent-based primers. IM-Prime™ has no irritating or unpleasant odors.

APPLICATION

All surfaces must be in sound condition and free of dirt, debris, and dust. Do not apply to wet surfaces, as this will dilute the primer, reducing its effectiveness. Apply IM-Prime at a rate of 0.5 gal/square (0.21 l/m²) to properly prepared substrates using a medium nap roller or spray equipment (a 0.015-0.021 inch spray tip orifice and a minimum spray pressure of 500 psi are recommended). Avoid “puddling” the primer. One coat is recommended. IM-Prime™ can withstand foot traffic in about 1-2 hours.

Once the primer is applied and allowed to dry, install the Imperflex USA Base™ sheet, Imperflex MSA™, Defend™, or MAT40™ system directly to the primed surface. IM-Prime can also be used to promote interply adhesion.

It's highly recommended that IM-Prime be used for priming all surfaces prior to applying any BITEC self-adhered membrane. IM-Prime provides the optimum surface prep for attaching BITEC self-adhered membranes.

PRECAUTIONS

- Do not allow the product to freeze, do not store in temperatures above 120°F (48°C)
- Do not place in contact with potable water
- Do not thin
- Exterior use only
- Do not use if heavy rain or dew is expected or if temperatures are expected to drop below 50°F (10°C) within 6 hours of application
- Do not install if the outside air temperature is above 95°F (35°C)
- Primer must be covered within 48 hours of application, or an additional coat of primer must be applied

Technical Data	IM-Prime
Density (ASTM D 1475)	8.75 lbs./gal.
Non-Volatile (ASTM D 3960)	
by Weight	42-46%
by Volume	40-44%
Viscosity @77°F (25°C) Brookfield RVT, #4 Spindle; 10 rpm (ASTM D 2196)	2000-2400 cPs
Drying Time @ 70°F (21.1°C); 50% RH	
To Touch	2 hours
Shelf Life	1 year
Coverage <i>dependant on the substrate</i>	1/3 to 1/2 gal. per 100 sq. ft. (0.13 - 0.20 l/m ²)
Packaging	5 gal. pail (18.9 l) 3 gal. pail (11.3 l) 55 gal. drum (208.2 l)
VOC	< 50 g/L



BiTec

P.O. Box 497

No. 2 Industrial Park Drive, Morrilton, Arkansas 72110

Phone 1-800-535-8597

Fax (501) 354-3019

www.bi-tec.com

Asphalt Primer 41™

PRODUCT INFORMATION



OVERVIEW

Asphalt Primer 41™ is a non fibered, quick drying roof primer. It is made from specially formulated asphalts and penetrating oils. It can also be used to re-saturate existing roof felts and coating to create an elastic bonding surface for Imper-Sol coatings. Asphalt Primer 41 meets and exceeds ASTM D41.

APPLICATION

The surface must be clean and dry prior to an application of Asphalt Primer 41. Any prior roof coatings or improperly bonded materials must be removed prior to application.

should range between 50° - 100°F. For optimum application, the product should be at a minimum of 60°F. Asphalt Primer 41 can be applied by brush, or roller. See BITEC application bulletins for additional information. Asphalt Primer 41 vehicle is a blend of solvents considered combustible by the standards of the D.O.T. and O.S.H.A.

PRECAUTIONS

- Do not use in temperatures above 120°F (48°C)
- Do not place in contact with potable water
- Do not thin
- Exterior use only
- Do not use if heavy rain or dew is expected or if temperatures are expected to drop below 50°F (10°C) within 6 hours of application
- Do not install if the outside air temperature is above 95°F (35°C)
- Primer must be covered within 48 hours of application, or an additional coat of primer must be applied

Technical Data	Asphalt Primer 41
Viscosity by Zahn Cup #2	18 to 20 sec
Covergae Rate	0.5-0.75 gal/100 ft ²
Flashpoint	100°F
VOC	450 g/l
Shelf Life	1 year
Non-Volatile	35%
Wet Mil Thickness	8 - 16 mils
Coverage Rate	.5 - .75 gal/100ft ²



BiTec

P.O. Box 497

No. 2 Industrial Park Drive, Morrilton, Arkansas 72110

Phone 1-800-535-8597

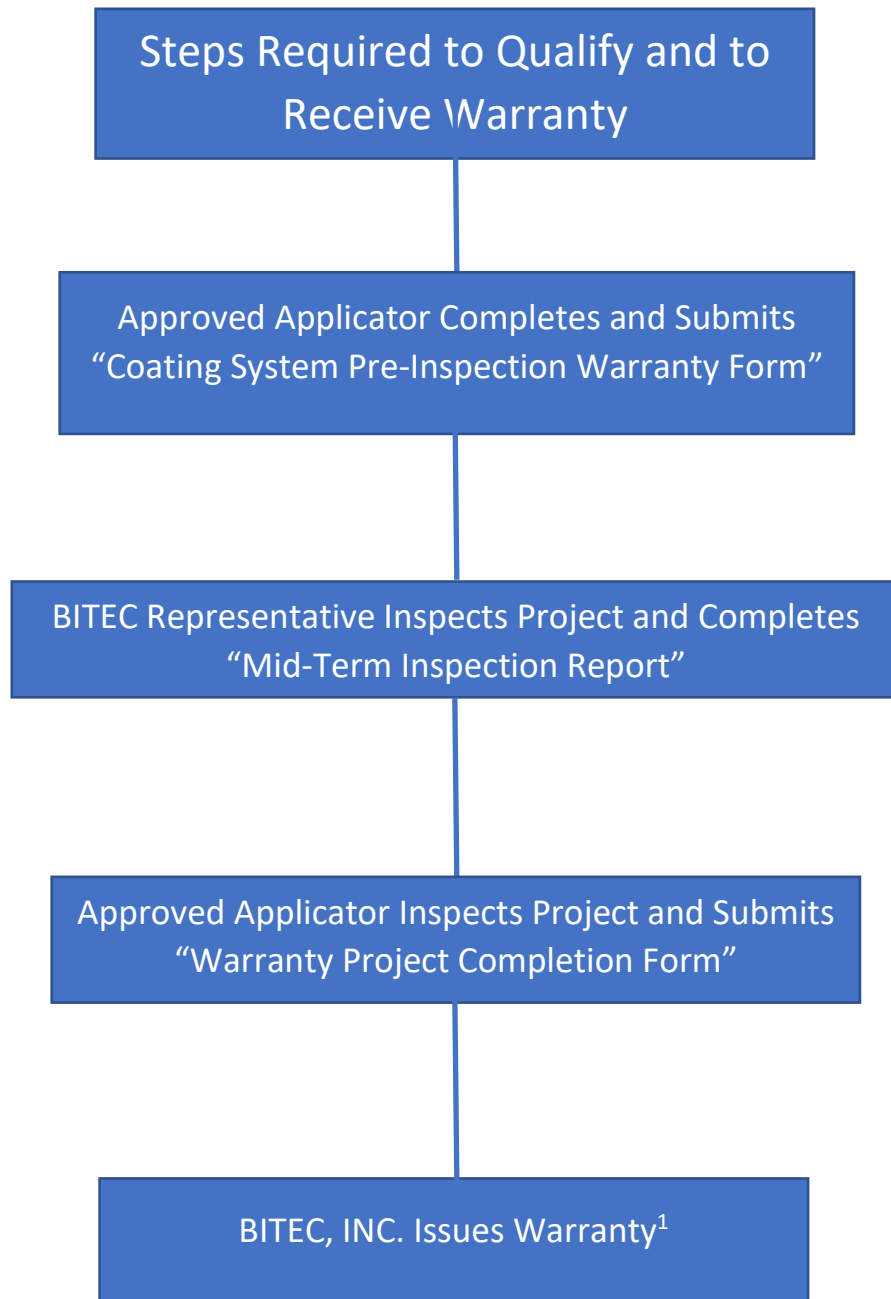
Fax (501) 354-3019

www.bi-tec.com

121521

To Obtain a Coating System Warranty the Following Requirements Must Be Met

The installer must be an Approved Applicator with certification prior to commencement of the roof coating project.



¹ For a Labor and Coating Material Warranty: All conditions for issuance of warranty must be met. Nothing herein guarantees a warranty will be issued. "Coating Material Warranty" is available to anyone who purchases and/or uses our products.



WHEN QUALITY MATTERS®

BITEC, INC,
PO BOX 497
#2 INDUSTRIAL PARK DRIVE
MORRILTON, AR 72110
(800) 535-8597 FAX: (501) 354-3019
www.bi-tec.com



All Information is given in good faith, but normal tolerances of manufacture and testing will apply. BITEC reserves the right to improve and change its products at any time without prior notice or advice. The use of BITEC products is determined by local conditions and individual requirements of each contract. In consideration of the many factors involved, BITEC cannot be held responsible for the application of its products and for conditions beyond its control. All claims filed against BITEC warranties will be subject to the provisions set forth at the date of warranty issuance, and any addendum thereto. Under no circumstances will BITEC be held liable for any damage, whether personal injury or property damage, when using any of its products.

© BITEC, INC. 2023 All rights reserved.